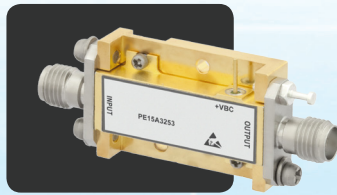


Pasternack



放大器

有源、
无源和
互连产品



当天发货

最全的射频、
微波种类

7天/
24小时
客户支持



应用工程师
随时待命



在线
购买



扫描二维码，关注
PASTERNAK微信公众号

免费热线: 400 928 5100 | 垂询邮箱: sales@pasternack.cn
在线下单: Pasternack.cn

PE PASTERNAK
an INFINITE® brand

覆盖所有应用领域的放大器产品



宽带
放大器

p 2



USB控制
放大器

p 5



台式
放大器

p 5



低噪声
放大器

p 5



限幅
放大器

p 8



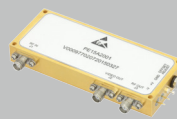
增益模块
放大器

p 9



直流耦合
放大器

p 9



对数
放大器

p 10



功率
放大器

p 10



高功率
放大器

p 12



GaN高功率
放大器

p 13



双向
放大器

p 14



架装
放大器

p 14



高可靠性
放大器

p 15



放大器配件

p 22



波导
放大器

p 22

美国Pasternack公司提供业内最大的可随时发货带连接器射频放大器选型库，库内共有200种不同型号产品，其工作频率范围低至直流，高达86.5GHz。上述选型库包括高功率放大器、高可靠性放大器、宽带放大器、限幅放大器、功率放大器、低噪声放大器（LNA）、对数放大器、USB控制放大器、毫米波放大器、双向放大器及增益模块放大器，所有这些放大器产品均为现货产品。此类产品采用最新的GaN和GaAs PHEMT半导体技术，而且适用于军事通信、雷达、卫星通信、点对点无线链路、电信、测试测量相关用途和行业，以及整个频段的许多其它用途和行业。

通过www.pasternack.cn，可在线查看上述所有放大器，及其详细产品数据表、CAD图、以及实时定价和库存。此外，我们的应用工程师随时待命，以回答您的任何技术问题，并协助您正确选出适合您具体应用的产品。

宽带放大器

所有产品均备货在库且可当天发货



PE P/N	Amplifier Type	Frequency Band (GHz)	Gain (dB)	Gain Variation +/- (dB)	NF (dB)	P1dB (dBm)	P1dB (Watts)	Psat (dBm)	IP3 (dBm)	DC Power (Volts/mA)	Mechanical Dimensions L(in) X W(in) X H(in)	Connector Type	ECCN
PE15A3308	Low Noise	0.01 MHz - 3	16	1.5	4	12	0.015	26	15 / 47	1.25 x 1.25 x 0.563	SMA	EAR99	
PE15A3311	Low Noise	0.1 MHz - 10	33	6.5	5	13	0.02	26	12 / 110	1.25 x 1.25 x 0.563	SMA	EAR99	
PE15A3310	Low Noise	0.3 MHz - 6.5	39	4.5	4	17	0.05	29	12 / 120	1.25 x 1.25 x 0.563	SMA	EAR99	
PE15A3309	Low Noise	1 MHz - 3	21	1.5	4	22	0.16	35	15 / 110	1.25 x 1.25 x 0.563	SMA	EAR99	
PE15A4031	Broadband, High Rel	10 MHz - 6	13	0.75	5	29.5	0.9	40	15 / 450	2.305 x 2.6 x 0.54	SMA	EAR99	
PE15A4032	Broadband, High Rel	10 MHz - 6	24	0.75	5	29.5	0.9	42	15 / 740	2.305 x 2.6 x 0.54	SMA	EAR99	
PE15A3269	Low Noise	10 MHz - 6	34	1	3	14.5	0.03	25.5	12 / 130	1.7 x 0.95 x 0.375	SMA	EAR99	
PE15A3036	Broadband, High Rel	10 MHz - 15	12	0.3	4.5	28	0.63	29	36	14 / 360	1.086 x 0.722 x 0.375	SMA	EAR99
PE15A4029	Broadband, High Rel	10 MHz - 20	13	0.75	3	23	0.2	25	30	15 / 225	0.86 x 0.7 x 0.29	SMA	EAR99
PE15A3272	Low Noise, High Rel	10 MHz - 20	15	0.5	3	22	0.16	24	30	12 / 195	0.86 x 0.7 x 0.29	SMA	EAR99
PE15A3254	Low Noise, High Rel	30 MHz - 20	15	2.5	3	20	0.1		15 / 180	1.08 x 0.71 x 0.29	SMA	EAR99	
PE15A3023	Broadband	30 MHz - 40	28	2.5	6	20	0.1		10 / 400	2 x 1.3 x 0.6	2.92mm	EAR99	
PE15A3007	Broadband	100 MHz - 12	18	1	3	25	0.315	28	33	12 / 300	1.2 x 1 x 0.4	SMA	EAR99
PE15A3255	Low Noise	100 MHz - 18	14	1.5	3	16	0.04	18	28	12 / 80	1.2 x 1 x 0.4	SMA	EAR99
PE15A3256	Low Noise	100 MHz - 18	28	2.5	3	16	0.04	18	28	12 / 160	1.5 x 1 x 0.4	SMA	EAR99
PE15A3267	Low Noise, High Rel	100 MHz - 26.5	15	2	5	15	0.03	23	15 / 200	0.9 x 1.05 x 0.38	SMA	EAR99	
PE15A3004	Broadband	110 MHz - 6	11	1.25	6.5	27	0.5	30	38	12 / 300	1.55 x 1.37 x 0.55	SMA	EAR99
PE15A3001	Broadband	110 MHz - 10	10	1.5	6.5	27	0.5	30	38	12 / 300	1.55 x 1.37 x 0.55	SMA	EAR99
PE15A3021	Broadband	300 MHz - 18	37	2		30.5	1.12	42	15 / 750	1.9 x 1.5 x 0.5	SMA	EAR99	
PE15A4038	Broadband, High Rel	500 MHz - 2	14	0.4	2.7	24	0.25	34	12 / 180	1.1 x 0.9 x 0.5	SMA	EAR99	
PE15A3014	Broadband, High Rel	500 MHz - 2	30	0.6	2.7	24	0.25	34	12 / 240	0.9 x 1.1 x 0.5	SMA	EAR99	
PE15A3015	Broadband, High Rel	500 MHz - 2	46	0.8	2.7	24	0.25	34	12 / 300	1.35 x 0.9 x 0.5	SMA	EAR99	
PE15A4039	Broadband, High Rel	500 MHz - 2.5	24	0.5	3.5	24	0.25		12 / 240	1.13 x 0.5 x 0.9	SMA	EAR99	
PE15A4037	Broadband	500 MHz - 6	24			33	2	33	28 / 600	2.4 x 2.1 x 0.5	SMA	EAR99	
PE15A3005	Broadband	500 MHz - 10	32	1	3	25	0.315	33	12 / 375	1.5 x 1 x 0.4	SMA	EAR99	
PE15A3008	Broadband	500 MHz - 18	27	2.5	3	25	0.315	35	12 / 330	1.5 x 1 x 0.4	SMA	EAR99	
PE15A3263	Broadband, High Rel	500 MHz - 18	33	1.5	4	15	0.03		12 / 220	1.093 x 1.33 x 0.382	SMA	EAR99	
PE15A3253	Low Noise, High Rel	500 MHz - 20	14	1.75	3	14	0.025		15 / 75	1.08 x 0.71 x 0.29	SMA	EAR99	
PE15A3264	Broadband, High Rel	800 MHz - 5.5	20	0.5		25	0.315	28	34	12 / 750	1.093 x 1.33 x 0.382	SMA	EAR99
PE15A3262	Broadband, High Rel	1 - 18	30	1.5		19	0.1	20	12 / 240	1.093 x 1.33 x 0.382	SMA	EAR99	

宽带放大器

所有产品均备货在库且可当天发货

续



PE P/N	Amplifier Type	Frequency Band (GHz)	Gain (dB)	Gain Variation +/- (dB)	NF (dB)	P1dB (dBm)	P1dB (Watts)	Psat (dBm)	IP3 (dBm)	DC Power (Volts/mA)	Mechanical Dimensions L(in) X W(in) X H(in)	Connector Type	ECCN
PE15A3276	Low Noise, High Rel	1.8 - 4.2	26		1.2	15.5	0.035	17.5	26	12 / 105	1.086 x 0.85 x 0.34	SMA	EAR99
PE15A4040	Broadband, High Rel	2 - 6	13	0.4	5.4	23	0.2		33	12 / 180	1.083 x 1.093 x 0.382	SMA	EAR99
PE15A4041	Broadband, High Rel	2 - 6	22	0.6	5.4	27	0.5		37	12 / 420	1.083 x 1.093 x 0.382	SMA	EAR99
PE15A4003	Broadband, High Rel	2 - 6	32	1	5	33	2		42	15 / 1,700	1.93 x 2.36 x 0.67	SMA	EAR99
PE15A4005	Broadband, High Rel	2 - 6	33	1	5	30	1		39	12 / 1,000	1.837 x 1.15 x 0.67	SMA	EAR99
PE15A4042	Broadband, High Rel	2 - 6	36	1.5	6	34	2.51			15 / 2,200	3.87 x 3.64 x 0.67	SMA	EAR99
PE15A4043	Broadband, High Rel	2 - 6	44	1	4.5	35	3.16		45	12 / 4,200	3.87 x 3.64 x 0.67	SMA	EAR99
PE15A3503	High Gain, High Rel	2 - 6	44	1	5	30	1		39	15 / 1,050	1.837 x 1.15 x 0.67	SMA	EAR99
PE15A3504	High Gain, High Rel	2 - 6	44	1	5	33	2		42	15 / 1,750	2.36 x 1.93 x 0.67	SMA	EAR99
PE15A3290	Low Noise, High Rel	2 - 8	14		2.5	13	0.02			12 / 120	1.083 x 1.093 x 0.382	SMA	EAR99
PE15A3291	Low Noise, High Rel	2 - 8	30		2.5	13	0.02			12 / 150	1.083 x 1.093 x 0.382	SMA	EAR99
PE15A3016	Broadband, High Rel	2 - 8	33	1.5		29.4	0.87			8.5 / 941	2.15 x 1.55 x 0.36	SMA	EAR99
PE15A4051	Broadband	2 - 18	12	1.5		16	0.04			12 / 65	1.2 x 0.85 x 0.375	SMA	EAR99
PE15A3301	Low Noise	2 - 18	22	2.5	3.2	13	0.02			12 / 100	1.08 x 0.75 x 0.35	SMA	EAR99
PE15A3257	Low Noise	2 - 18	26	2	3	14	0.025		24	12 / 150	1.5 x 0.85 x 0.375	SMA	EAR99
PE15A3258	Low Noise	2 - 18	33	1	3				25	12 / 180	1.5 x 1 x 0.4	SMA	EAR99
PE15A3265	Broadband, High Rel	2 - 18	33	1.5	3.5	13	0.02			12 / 180	1.093 x 1.33 x 0.382	SMA	EAR99
PE15A3022	Broadband	2 - 18	37	1.5		30.5	1.12		42	15 / 800	1.9 x 1.5 x 0.5	SMA	EAR99
PE15A3271	Low Noise, High Rel	2 - 20	13	0.5	2	16	0.04	21	26	12 /	0.75 x 0.7 x 0.29	SMA	EAR99
PE15A3270	Low Noise, High Rel	2 - 20	15		2.5	13	0.02	15.5	23	12 / 78	0.64 x 0.59 x 0.29	SMA	EAR99
PE15A4027	Broadband, High Rel	2 - 20	15	0.75		26	0.4		30	12 / 310	1.5 x 0.7 x 0.29	SMA	EAR99
PE15A4030	Broadband, High Rel	2 - 20	31	0.75	3	26	0.4		30	15 / 400	0.86 x 0.7 x 0.29	SMA	EAR99
PE15A3009	Broadband	2 - 24	12	0.75	4	26	0.4	28	35	12 / 260	1.2 x 1 x 0.4	2.92mm	EAR99
PE15A3038	Broadband, High Rel	2 - 35	12	0.4	4	18	0.06	18.5	26		1.836 x 0.85 x 0.195	2.92mm	3A001. B.4.C
PE15A4046	Broadband, High Rel	3.1 - 3.5	30	0.7	4.5	30	1			12 / 900	2.17 x 0.86 x 0.32	SMA	EAR99
PE15A4044	Broadband, High Rel	6 - 12	16	0.6	5	27	0.5		37	12 / 400	1.083 x 1.093 x 0.382	SMA	EAR99
PE15A3292	Low Noise, High Rel	6 - 12	17		2.5	7	5			12 / 100	1.083 x 1.093 x 0.382	SMA	EAR99
PE15A4045	Broadband, High Rel	6 - 12	28	0.8	5	27	0.5			12 / 500	1.333 x 1.093 x 0.382	SMA	EAR99
PE15A3293	Low Noise, High Rel	6 - 12	30		2.5					12 / 200	1.583 x 1.093 x 0.382	SMA	EAR99
PE15A4001	Broadband, High Rel	6 - 12	37	1.5	6	33	2		42	15 / 2,500	2.36 x 1.93 x 0.67	SMA	EAR99

宽带放大器

所有产品均备货在库且可当天发货

续



PE P/N	Amplifier Type	Frequency Band (GHz)	Gain (dB)	Gain Variation +/- (dB)	NF (dB)	P1dB (dBm)	P1dB (Watts)	Psat (dBm)	IP3 (dBm)	DC Power (Volts/mA)	Mechanical Dimensions L(in) X W(in) X H(in)	Connector Type	ECCN
PE15A4004	Broadband, High Rel	6 - 12	38	1	5	30	1	39	15 / 1,300	2.36 x 1.55 x 0.5	SMA	EAR99	
PE15A3506	High Gain, High Rel	6 - 12	47	1.5	6	33	2	42	15 / 2,500	2.36 x 1.93 x 0.67	SMA	EAR99	
PE15A3505	High Gain, High Rel	6 - 12	48	1	5	30	1	39	15 / 1,350	2.36 x 1.55 x 0.65	SMA	EAR99	
PE15A3295	Low Noise, High Rel	6 - 18	14		3	13	0.02		12 / 100	1.083 x 1.093 x 0.382	SMA	EAR99	
PE15A3018	Broadband, High Rel	6 - 18	30	1	3.5	28	0.63		12 / 1,300	2.1 x 1.15 x 0.42	SMA	EAR99	
PE15A3019	Broadband, High Rel	6 - 18	30	1.5		30	1		18 / 1,700	2.65 x 2.5 x 0.45	SMA	EAR99	
PE15A3294	Low Noise, High Rel	6 - 18	30		2.5	10	0.01		12 / 200	1.083 x 1.093 x 0.382	SMA	EAR99	
PE15A3302	Low Noise	6 - 18	32	1.5	2.3	14	0.025		12 / 150	1.08 x 0.75 x 0.35	SMA	EAR99	
PE15A3017	Broadband, High Rel	6 - 18	36	2		27	0.5		15 / 800	1.093 x 2.083 x 0.382	SMA	EAR99	
PE15A3259	Low Noise	6 - 18	38	2	2.5	22	0.16	30	12 / 280	1.5 x 1 x 0.4	SMA	EAR99	
PE15A3020	Broadband, High Rel	6 - 18	42	2	5.4	27	0.5	37	12 / 900	2.083 x 1.093 x 0.5	SMA	EAR99	
PE15A3273	Low Noise, High Rel	7 - 17	22		2.5	14	0.025		12 / 93	0.64 x 0.59 x 0.29	SMA	EAR99	
PE15A3296	Low Noise, High Rel	12 - 18	18		3.5	13	0.02		12 / 100	0.64 x 0.59 x 0.29	SMA	EAR99	
PE15A4002	Broadband, High Rel	12 - 18	33	2	6	30	1	39	15 / 2,000	1.55 x 2.36 x 0.5	SMA	EAR99	
PE15A3507	High Gain, High Rel	12 - 18	43	2	6	30	1	39	15 / 2,000	2.36 x 1.55 x 0.5	SMA	EAR99	
PE15A3024	Broadband	12.4 - 26.5	35	2	3	24.5	0.3		12 / 500	1.2 x 1.2 x 0.6	SMA	EAR99	
PE15A4028	Broadband, High Rel	17 - 24	22			24	0.25		12 / 250	1.086 x 0.85 x 0.36	2.92mm	EAR99	
PE15A3274	Low Noise, High Rel	17 - 27	19		2.75	13.5	0.02		12 / 96	0.64 x 0.59 x 0.29	2.92mm	EAR99	
PE15A3303	Low Noise	18 - 26.5	32	2.5	2.3	11	0.01		12 / 250	0.53 x 0.7 x 0.3	SMA	EAR99	
PE15A3260	Low Noise	18 - 26.5	40	2	2.5	13	0.02	22	12 / 150	1.5 x 1 x 0.4	2.92mm	EAR99	
PE15A3268	Low Noise, High Rel	18 - 40	18	2	5.5	10	0.01		15 / 250	1 x 1.75 x 0.41	2.4mm	3A001. B.4.C	
PE15A3025	Broadband	18 - 40	30	2.5	6.5	20	0.1		12 / 350	1.2 x 1.2 x 0.6	2.92mm	EAR99	
PE15A3304	Low Noise	18 - 40	32	2	4	12	0.015		12 / 200	0.64 x 0.7 x 0.3	2.92mm	EAR99	
PE15A3305	Low Noise	18 - 40	44	4	4	11	0.01		12 / 250	1.27 x 1.48 x 0.35	2.92mm	EAR99	
PE15A3261	Low Noise	26.5 - 40	22	1	3.5	13.5	0.02	22	12 / 125	1.5 x 1 x 0.4	2.92mm	EAR99	
PE15A3266	Low Noise	26.5 - 40	30	2	2	11	0.01		12 / 150	1.2 x 1.2 x 0.6	2.92mm	EAR99	
PE15A4022	Broadband	26.5 - 40	30	2	6	20	0.1		12 / 350	1.2 x 1.2 x 0.6	2.92mm	EAR99	
PE15A3306	Low Noise	26.5 - 40	35	2.5	2.4	10.5	0.01		12 / 150	0.53 x 0.7 x 0.3	2.92mm	EAR99	
PE15A3307	Low Noise	26.5 - 40	52	3.5	3.3	12	0.015		12 / 375	0.75 x 0.7 x 0.3	2.92mm	EAR99	
PE15A3275	Low Noise, High Rel	29 - 36	20		2.9	11	0.01		3 / 80	1.086 x 0.85 x 0.375	2.92mm	3A001. B.4.C	

USB控制 宽带放大器

所有产品均备货在库且可当天发货



PE P/N	Amplifier Type	Frequency Band (GHz)	Gain (dB)	NF (dB)	P1dB (dBm)	Control	Mechanical Dimensions L(in) X W(in) X H(in)	Connector Type	ECCN
PE15A3900	USB	50 MHz - 18	12	4.5	10	USB	2.25 x 1 x 0.33	SMA	EAR99
PE15A3901	USB	50 MHz - 40	12	5	10	USB	2.25 x 1 x 0.33	2.92mm	EAR99

台式放大器

所有产品均备货在库且可当天发货



PE P/N	Amplifier Type	Frequency Band (GHz)	Gain (dB)	Gain Variation +/- (dB)	NF (dB)	P1dB (dBm)	DC Power (Optional DC In) (Volts)	AC Power (Voltage/Cycle)	Mechanical Dimensions L(in) X W(in) X H(in)	Connector Type	ECCN
PE15A3037	Bench-Top, Broadband, High Rel	10 MHz - 15	12	0.3	4	28	16 / 360	16 / 360	4.23 x 1.7 x 1.68	SMA	EAR99
PE15A3500	Bench-Top, High Gain, High Rel	1 - 20	60	3	5	10		115 / 60	4.92 x 4.92 x 2.1	SMA	EAR99
PE15A3513	Bench-Top, High Gain, High Rel	1 - 20	60	3	5	10		220 /	4.92 x 4.92 x 2.1	SMA	EAR99
PE15A3514	Bench-Top, High Gain, High Rel	1 - 40	40	2.5	5	10	12 /	100 /	4.92 x 4.92 x 2.26	2.92mm	EAR99
PE15A3515	Bench-Top, High Gain, High Rel	1 - 40	40	2.5	5	10	12 /	220 /	4.92 x 4.92 x 2.1	2.92mm	EAR99
PE15A3595	Bench-Top, High Gain, High Rel	1 - 40	40	2.5	5	22	12 /	120 / 60	4.92 x 4.92 x 2.1	2.92mm	EAR99
PE15A3508	Bench-Top, High Gain, High Rel	20 - 40	30	2	5	10	/ 100	100 / 60	4.92 x 4.92 x 2.26	2.92mm	EAR99
PE15A3509	Bench-Top, High Gain, High Rel	20 - 40	30	2	5	10	/ 220	220 /	4.92 x 4.92 x 2.26	2.92mm	EAR99
PE15A3501	Bench-Top, High Gain, High Rel	20 - 40	30	2	5	10		115 / 60	4.92 x 4.92 x 2.26	2.92mm	EAR99
PE15A3510	Bench-Top, High Gain, High Rel	20 - 40	60	3	5	10	/ 100	100 /	4.92 x 4.92 x 2.26	2.92mm	EAR99
PE15A3512	Bench-Top, High Gain, High Rel	20 - 40	60	3	5	10	/ 100	100 /	4.92 x 4.92 x 2.1	SMA	EAR99
PE15A3511	Bench-Top, High Gain, High Rel	20 - 40	60	3	5	10	/ 220	220 /	4.92 x 4.92 x 2.26	2.92mm	EAR99
PE15A3502	Bench-Top, High Gain, High Rel	20 - 40	60	3	5	10		115 / 60	4.92 x 4.92 x 2.26	2.92mm	EAR99

低噪声放大器

所有产品均备货在库且可当天发货



PE P/N	Amplifier Type	Frequency Band (GHz)	Gain (dB)	Gain Variation +/- (dB)	NF (dB)	P1dB (dBm)	P1dB (Watts)	IP3 (dBm)	DC Power (Volts/mA)	Mechanical Dimensions L(in) X W(in) X H(in)	Connector Type	ECCN
PE15A1007	Low Noise	0.009 MHz - 3	32	1.25	2.5	16	0.04	29	15 / 110	1.5 x 0.85 x 0.375	SMA	EAR99
PE15A1046	Low Noise	0.01 MHz - 500 MHz	45	0.5	2.5	11	0.013	23	16 / 75	1.25 x 1.25 x 0.563	SMA	EAR99

低噪声放大器

所有产品均备货在库且可当天发货

续



PE P/N	Amplifier Type	Frequency Band (GHz)	Gain (dB)	Gain Variation +/- (dB)	NF (dB)	P1dB (dBm)	P1dB (Watts)	IP3 (dBm)	DC Power (Volts/mA)	Mechanical Dimensions L(in) X W(in) X H(in)	Connector Type	ECCN
PE15A1055	Low Noise	0.01 MHz - 1.4	42	1	3	19	0.079	32	16 / 120	1.25 x 1.25 x 0.563	SMA	EAR99
PE15A1059	Low Noise	0.01 MHz - 2	28	2	3.2	13	0.02	23	18 / 45	1.25 x 1.25 x 0.563	SMA	EAR99
PE15A1047	Low Noise	0.03 MHz - 600 MHz	50	1.2	2.2	14	0.025	24	18 / 85	1.25 x 1.25 x 0.563	SMA	EAR99
PE15A1045	Low Noise	1 MHz - 500 MHz	33.5	1.5	2	13	0.02	24	30 / 40	1.25 x 1.25 x 0.563	SMA	EAR99
PE15A1043	Low Noise	10 MHz - 250 MHz	17	0.5	1.4	22	0.159	39	5.25 / 160	1.25 x 1.25 x 0.563	SMA	EAR99
PE15A1044	Low Noise	10 MHz - 550 MHz	29.7	0.3	1.7	19	0.079	34	15 / 105	1.25 x 1.25 x 0.563	SMA	EAR99
PE15A1063	Low Noise	10 MHz - 600 MHz	40.5	0.8	0.9	19	0.079	34	15 / 140	1.79 x 1.1 x 0.45	SMA	EAR99
PE15A1048	Low Noise	10 MHz - 800 MHz	42	0.7	2	17	0.05	30	15 / 100	1.25 x 1.25 x 0.563	SMA	EAR99
PE15A1065	Low Noise	10 MHz - 800 MHz	60	1.5	2.1	17	0.05	27	15 / 160	1.79 x 1.10 x 0.450	SMA	EAR99
PE15A1011	Low Noise	10 MHz - 1	30	0.7	1	17	0.05		15 / 110	1.5 x 0.85 x 0.375	SMA	EAR99
PE15A63000	Input Protected Low Noise	10 MHz - 1	30	0.7	1.5	17	0.05	32	15 / 120	1.2 x 0.85 x 0.375	SMA	EAR99
PE15A1049	Low Noise	10 MHz - 1	32		2	12	0.016	23	15 / 40	1.25 x 1.25 x 0.563	SMA	EAR99
PE15A1012	High Gain	10 MHz - 1	40	1	0.8	17	0.05	31.5	15 / 110	1.5 x 0.85 x 0.375	SMA	EAR99
PE15A63001	Input Protected Low Noise	10 MHz - 1	40	1	1.5	17	0.05	31.5	15 / 110	1.2 x 0.85 x 0.375	SMA	EAR99
PE15A1013	High Gain	10 MHz - 1	50	1.25	1	18	0.063	28	15 / 140	1.5 x 0.85 x 0.375	SMA	EAR99
PE15A1052	Low Noise	10 MHz - 1	51	0.8	2.2	13	0.02	22	15 / 88	1.25 x 1.25 x 0.563	SMA	EAR99
PE15A1054	Low Noise	10 MHz - 1.3	35	0.5	1.5	20	0.1	34	15 / 165	1.25 x 1.25 x 0.563	SMA	EAR99
PE15A1009	Low Noise	10 MHz - 3	34	0.75	1.4	11	0.013	25	15 / 95	1.5 x 0.85 x 0.375	SMA	EAR99
PE15A1051	Low Noise	20 MHz - 1	30	0.5	1.3	18	0.063	32	18 / 140	1.25 x 1.25 x 0.563	SMA	EAR99
PE15A1064	Low Noise	20 MHz - 1	30.5	0.8	1.3	19	0.079	34	15 / 140	1.79 x 1.10 x 0.450	SMA	EAR99
PE15A1057	Low Noise	20 MHz - 1.5	20	1.2	1	17	0.05	35	18 / 70	1.25 x 1.25 x 0.563	SMA	EAR99
PE15A1008	Low Noise	20 MHz - 3	25	0.75	1.6	13.5	0.022	25	15 / 75	1.5 x 0.85 x 0.375	SMA	EAR99
PE15A1061	Low Noise	20 MHz - 4	25	0.7	2	18	0.063	34	5.5 / 160	1.25 x 1.25 x 0.563	SMA	EAR99
PE15A63002	Input Protected Low Noise	30 MHz - 1.5	25	0.5	1.6	22	0.159	39	15 / 150	1.2 x 0.85 x 0.375	SMA	EAR99
PE15A63003	Input Protected Low Noise	30 MHz - 1.5	29	0.5	1.6	23	0.2	39	15 / 160	1.2 x 0.85 x 0.375	SMA	EAR99
PE15A1060	Low Noise	40 MHz - 3	16	1.6	1.3	7	0.005	22	3.3 / 18	1.25 x 1.25 x 0.563	SMA	EAR99
PE15A9001	Linear	50 MHz - 1	15	0.7	1.5	23	0.2	37	12 / 85	1.38 x 0.5 x 1.18	SMA	EAR99
PE15A1050	Low Noise	50 MHz - 1	18	0.5	1	16	0.04	32	18 / 70	1.25 x 1.25 x 0.563	SMA	EAR99

低噪声放大器

所有产品均备货在库且可当天发货

续



PE P/N	Amplifier Type	Frequency Band (GHz)	Gain (dB)	Gain Variation +/- (dB)	NF (dB)	P1dB (dBm)	P1dB (Watts)	IP3 (dBm)	DC Power (Volts/mA)	Mechanical Dimensions L(in) X W(in) X H(in)	Connector Type	ECCN
PE15A1014	Low Noise	50 MHz - 1	19			18	0.063	36	12 / 90	1.38 x 0.5 x 1.2	SMA	EAR99
PE15A1053	Low Noise	50 MHz - 1.2	47	1	2.2	13	0.02	23	15 / 88	1.25 x 1.25 x 0.563	SMA	EAR99
PE15A1042	Low Noise	50 MHz - 2	27	0.75	1.8	22	0.159	37	13.5 / 160	1.2 x 0.85 x 0.375	SMA	EAR99
PE15A1066	Low Noise	100 MHz - 2	61.5	1	2.5	19	0.079	33	15 / 170	1.79 x 1.10 x 0.450	SMA	EAR99
PE15A1017	Low Noise	500 MHz - 3	14.5	0.4	2	20	0.1	35	12 / 90	1.38 x 0.5 x 1.18	SMA	EAR99
PE15A1018	Low Noise	500 MHz - 3	29	1	2.6	20	0.1	34	12 / 190	3.15 x 0.493 x 2.56	SMA	EAR99
PE15A1068	Low Noise	500 MHz - 4	24	2.5	0.7	17	0.05	34	15 / 65	1.00 x 0.790 x 0.450	SMA	EAR99
PE15A1067	Low Noise	700 MHz - 2.7	23	1	0.7	18	0.063	35	15 / 65	1.00 x 0.790 x 0.450	SMA	EAR99
PE15A63004	Input Protected Low Noise	900 MHz - 1.2	30	1	1.2	10	0.01		12 / 100	1.5 x 0.85 x 0.375	SMA	EAR99
PE15A63005	Input Protected Low Noise	900 MHz - 1.2	40	1	1.2	10	0.01		12 / 100	1.5 x 0.85 x 0.375	SMA	EAR99
PE15A63006	Input Protected Low Noise	1 - 1.4	30	1	1.2	10	0.01		12 / 110	1.5 x 0.85 x 0.375	SMA	EAR99
PE15A1000	Low Noise	1 - 2	35	1	1.5	10	0.01		13 / 200	1.77 x 1 x 0.5	SMA	EAR99
PE15A1019	High Gain	1 - 2	40	1	0.8	11	0.013	25	12 / 120	1.5 x 0.85 x 0.375	SMA	EAR99
PE15A1070	Low Noise	1 - 4	20	1.2	0.8	20	0.1	41	15 / 120	1.00 x 0.790 x 0.450	SMA	EAR99
PE15A1031	Low Noise	1 - 12	16		1.75	17	0.05		6 / 60	1.14 x 1.9 x 0.56	SMA	EAR99
PE15A1023	Low Noise	1.2 - 1.4	25	0.75	1.5	10	0.01		13.2 / 150	2.32 x 2.32 x 0.71	SMA	EAR99
PE15A1024	Low Noise	1.2 - 1.4	35	0.75	1.5	17	0.05		13.2 / 180	2.32 x 2.32 x 0.71	SMA	EAR99
PE15A1005	High Gain	1.2 - 1.4	40	0.75	1.5	15	0.032		13.2 / 200	1.78 x 1.17 x 0.382	SMA	EAR99
PE15A1028	Low Noise	1.2 - 1.6	40	0.5	0.8	12	0.016		15 / 100	1.5 x 0.85 x 0.375	SMA	EAR99
PE15A1039	Integrated Band Pass Filter	1.215 - 1.4	25	0.75	0.5	16	0.04		12 / 130	2.32 x 2.32 x 0.71	SMA	EAR99
PE15A1040	Integrated Band Pass Filter	1.215 - 1.4	35	0.75	0.5	16	0.04		12 / 130	2.32 x 2.32 x 0.71	SMA	EAR99
PE15A1034	Low Phase Noise	1.5 - 5	14		4.5	17	0.05	27	9 / 170	1.14 x 1.9 x 0.56	SMA	EAR99
PE15A63007	Input Protected Low Noise	2 - 2.6	30	0.35	0.85	12	0.016		15 / 110	1.7 x 0.95 x 0.375	SMA	EAR99
PE15A1001	Low Noise	2 - 4	38	1	2	13	0.02		13 / 200	2.283 x 1.093 x 0.382	SMA	EAR99
PE15A1010	High Gain	2 - 6	40	1	0.9	14	0.025	25	15 / 90	1.5 x 0.85 x 0.375	SMA	EAR99
PE15A1030	Low Phase Noise	2 - 18	12.5		6.5	13	0.02		5 / 80	0.64 x 0.7 x 0.29	SMA	EAR99
PE15A63008	Input Protected Low Noise	2.6 - 3.1	30	1	1.2	10	0.01		12 / 120	1.7 x 0.95 x 0.375	SMA	EAR99
PE15A63009	Input Protected Low Noise	2.6 - 3.1	40	1	1.2	10	0.01		12 / 120	1.7 x 0.95 x 0.4	SMA	EAR99
PE15A1035	Low Phase Noise	3 - 8	11		6	14	0.025	25	7 / 250	1.14 x 1.9 x 0.56	SMA	EAR99
PE15A63010	Input Protected Low Noise	3.1 - 3.5	28	0.5	0.8	8	0.006	20	15 / 45	1.2 x 1 x 0.4	SMA	EAR99

低噪声放大器

所有产品均备货在库且可当天发货

续



PE P/N	Amplifier Type	Frequency Band (GHz)	Gain (dB)	Gain Variation +/- (dB)	NF (dB)	P1dB (dBm)	P1dB (Watts)	IP3 (dBm)	DC Power (Volts/mA)	Mechanical Dimensions L(in) X W(in) X H(in)	Connector Type	ECCN
PE15A63011	Input Protected Low Noise	3.1 - 3.5	35	1	0.85	13	0.02		12 / 100	1.7 x 0.95 x 0.4	SMA	EAR99
PE15A1006	High Gain	3.1 - 3.5	40	0.3	1.1	15	0.032		17 / 150	2.537 x 1.15 x 0.67	SMA	EAR99
PE15A1002	Low Noise	4 - 8	38	1	2	13	0.02		13 / 250	2.283 x 1.093 x 0.382	SMA	EAR99
PE15A9002	Low Noise	5 - 9	22.5		1.75	14.8	0.03	25	12 / 105	1.086 x 0.85 x 0.36	SMA	EAR99
PE15A1032	Low Phase Noise	6 - 12	11	1	4.5	20	0.1	34	7 / 200	1.14 x 1.9 x 0.56	SMA	EAR99
PE15A1072	Low Noise	6 - 12	25	0.7	2.1	11	0.013	25	5.5 / 65	1.00 x 0.790 x 0.450	SMA	EAR99
PE15A1071	Low Noise	6 - 18	26	2.5	1.9	11	0.013	25	5.5 / 65	1.00 x 0.790 x 0.450	SMA	EAR99
PE15A1033	Low Phase Noise	7 - 11	9		6	22	0.159	33	7 / 300	1.14 x 1.9 x 0.56	SMA	EAR99
PE15A1027	Low Noise	8 - 12	18	1	2.2	13	0.02		13 / 150	1.083 x 1.093 x 0.382	SMA	EAR99
PE15A1026	Low Noise	8 - 12	28	1	2.2	13	0.02		13 / 200	1.333 x 1.093 x 0.382	SMA	EAR99
PE15A1003M	Low Noise	8 - 12	38	1	2.2	13	0.02		13 / 250	2.283 x 1.093 x 0.382	SMA	EAR99
PE15A1003	Low Noise	8 - 12	38	1	2.2				13 / 250	1.58 x 1.093 x 0.382	SMA	EAR99
PE15A1025	Low Noise	8 - 12	48	1	2.2				13 / 300	2.83 x 1.093 x 0.382	SMA	EAR99
PE15A1004	Low Noise	12 - 18	38	1	3	13	0.02		13 / 300	2.283 x 1.093 x 0.382	SMA	EAR99
PE15A3300	Low Noise	26.5 - 40	43	2	2	12	0.016	20	15 / 110	1.5 x 1 x 0.4	2.92mm	EAR99

限幅放大器

所有产品均备货在库且可当天发货



PE P/N	Amplifier Type	Frequency Band (GHz)	Gain (dB)	Gain Variation +/- (dB)	NF (dB)	Input Power (dBm)	P _{sat} (dBm)	DC Power (Volts/mA)	Mechanical Dimensions L(in) X W(in) X H(in)	Connector Type	ECCN
PE15A6002	Limiting	1 - 2	60	2.5	3	-40 to 10	19	13 / 250	1.602 x 0.66 x 0.38	SMA	EAR99
PE15A6015	Limiting	2 - 4	40		3	-20 to 10	19	15 / 200	1.358 x 0.66 x 0.38	SMA	EAR99
PE15A6007	Limiting	2 - 6	80	3	4	-61 to 10	15	13 / 550	1.602 x 0.66 x 0.38	SMA	EAR99
PE15A6008	Limiting	2 - 8	40	2	5	-20 to 20	19	13 / 300	1.6 x 1.15 x 0.42	SMA	EAR99
PE15A6012	Limiting	6 - 18	40	2	4	-20 to 20	19	13 / 300	1.85 x 1.15 x 0.42	SMA	EAR99

增益模块放大器

所有产品均备货在库且可当天发货



PE P/N	Amplifier Type	Frequency Band (GHz)	Gain (dB)	Gain Variation +/- (dB)	NF (dB)	P1dB (dBm)	P1dB (Watts)	IP3 (dBm)	DC Power (Volts/mA)	Mechanical Dimensions L(in) X W(in) X H(in)	Connector Type	ECCN
PE1514	Gain Block	10 MHz - 3	12	10	5.5	10	0.01		15 / 40	2.18 x 1.18 x 0.49	SMA	EAR99
PE1528	Gain Block	10 MHz - 3	15	2	3	11	0.01	12	18 / 40	1.38 x 0.5 x 1.18	SMA	EAR99
PE1513	Gain Block	10 MHz - 3	20	14	2.7	13	0.02		15 / 50	2.18 x 1.18 x 0.49	SMA	EAR99
PE15A8001	Gain Block	10 MHz - 6	15	0.35	4.5	12	0.015	26	12 / 50	1.2 x 0.85 x 0.375	SMA	EAR99
PE1517	Gain Block	50 MHz - 1	22	0.75	3.5	12	0.015		12 / 150	2.36 x 2.36 x 0.75	SMA	EAR99
PE1518	Gain Block	50 MHz - 2	22	1	3.5	12	0.015		12 / 150	2.36 x 2.36 x 0.75	SMA	EAR99
PE15A8000	Gain Block	50 MHz - 4	26	1	5	22	0.16	35	12 / 120	2.08 x 1.08 x 0.5	SMA	EAR99
PE1516	Gain Block	100 MHz - 3	18	18	6	16	0.04		15 / 120	2.18 x 1.18 x 0.49	SMA	EAR99
PE1525	Gain Block	200 MHz - 2.5	22	1.25	6	15	0.03		15 / 120	2.18 x 1.18 x 0.49	SMA	EAR99
PE15A8004	Gain Block	500 MHz - 2	17	0.4	1.8			25	12 / 70	1.1 x 0.9 x 0.5	SMA	EAR99
PE15A8005	Gain Block	500 MHz - 2	50	1.8				25	12 / 180	1.083 x 1.093 x 0.382	SMA	EAR99
PE1519	Gain Block	1 - 4	26	0.5	2.5	15	0.03		12 / 120	2.36 x 2.36 x 0.75	SMA	EAR99
PE1520	Gain Block	2 - 4	25	0.5	2.5	15	0.03		12 / 120	2.36 x 2.36 x 0.75	SMA	EAR99
PE1521	Gain Block	2 - 6	26	0.5	3	15	0.03		12 / 120	2.36 x 2.36 x 0.75	SMA	EAR99
PE1524	Gain Block	2 - 18	23	1	3.5	13	0.02		12 / 150	1.083 x 1.093 x 0.382	SMA	EAR99
PE1522	Gain Block	4 - 8	26	0.5	3	15	0.03		12 / 100	2.36 x 2.36 x 0.75	SMA	EAR99
PE15A8006	Gain Block	6 - 12	12	0.4	2.3	10	0.01	20	12 / 80	1.083 x 1.093 x 0.382	SMA	EAR99
PE15A8007	Gain Block	6 - 18	17	0.6	4.5	20	0.1		12 / 160	1.083 x 1.093 x 0.382	SMA	EAR99
PE1523	Gain Block	6 - 18	22	1	4.5	13	0.02		12 / 150	1.45 x 0.39 x 0.78	SMA	EAR99

直流耦合放大器

所有产品均备货在库且可当天发货



PE P/N	Amplifier Type	Frequency Band (GHz)	Gain (dB)	Gain Variation +/- (dB)	NF (dB)	P1dB (dBm)	P1dB (Watts)	IP3 (dBm)	DC Power (Volts/mA)	Mechanical Dimensions L(in) X W(in) X H(in)	Connector Type	ECCN
PE15A86002	Gain Block	DC - 17 MHz	30			14	0.025	25	12 / 45	1.25 x 1.25 x 0.56	SMA	EAR99
PE15A86001	Gain Block	DC - 1.5	14		16	11	0.01	25	12 / 45	1.25 x 1.25 x 0.56	SMA	EAR99
PE15A86000	Gain Block	DC - 2	8		16	11	0.01	25	12 / 45	1.25 x 1.25 x 0.56	SMA	EAR99

对数放大器

所有产品均备货在库且可当天发货



PE P/N	Amplifier Type	Frequency Band (GHz)	Typical Recovery Time (ns)	Min TSS (dBm)	Log Linearity (± dB)	Log Range (dBm)	Rise Time (ns)	Log Slope (mV/dB)	Voltage (± Volts)	Mechanical Dimensions L(in) X W(in) X H(in)	Connector Type	ECCN
PE15A2000	Log	500 MHz - 4	40	-73	2.5	-70 to 0	5	25	12	3.2 x 1.8 x 0.4	SMA	EAR99
PE15A2003	Log	500 MHz - 18	150	-65	1.75	-65 to 5	20	20	15	3 x 3.5 x 0.5	SMA	EAR99
PE15A2001	Log	2 - 6	60	-73	1.75	-70 to 5	15	40	12	3.75 x 1.5 x 0.5	SMA	EAR99
PE15A2002	Log	6 - 18	70	-72	2.5	-70 to 0	50	25	12	3.2 x 2.05 x 0.4	SMA	EAR99
PE15A2004	Log	6 - 18	150	-40	1	-40 to 0	20	50	15	2.2 x 1.5 x 0.4	SMA	EAR99

功率放大器 (<4W)

所有产品均备货在库且可当天发货



PE P/N	Amplifier Type	Frequency Band (GHz)	Gain (dB)	Gain Variation +/- (dB)	NF (dB)	P1dB (dBm)	P1dB (Watts)	Psat (dBm)	IP3 (dBm)	DC Power (Volts/mA)	Mechanical Dimensions L(in) X W(in) X H(in)	Connector Type	ECCN
PE15A5030	High Power, High Rel	1 MHz - 1	36	1.5	33	2	36	39	28 / 1,200	6 x 3 x 1.1	SMA	EAR99	
PE15A5030F	High Power w/ Fan, High Rel	1 MHz - 1	36	1.5	33	2	36	39	28 / 1,700	8.7 x 5.2 x 3.5	SMA	EAR99	
PE15A5055	High Power, High Rel	1.5 MHz - 30 MHz	47	2			47		28 / 5,000	5.9 x 3.5 x 0.98	SMA	EAR99	
PE15A5056	High Power, High Rel	1.5 MHz - 100 MHz	47	2			47		28 / 5,000	5.9 x 3.5 x 0.98	SMA	EAR99	
PE15A5065	High Power, High Rel	20 MHz - 520 MHz	51	2			51		28 / 9,000	5.9 x 3.54 x 1	SMA	EAR99	
PE15A4072	Power	20 MHz - 1	40	0.5	6	36	4	44	24 /	3.75 x 2 x 1.913	SMA	EAR99	
PE15A5057	High Power, High Rel	20 MHz - 1	49	2			49		28 / 11,000	5.9 x 3.5 x 1	SMA	EAR99	
PE15A4017	Power	20 MHz - 3	27	0.75	30	1	39	12 / 220	2.08 x 1.08 x 0.5	SMA	EAR99		
PE15A4018	Power	30 MHz - 3	38	1	30	1	39	12 / 270	2.08 x 1.08 x 0.5	SMA	EAR99		
PE15A4009	Power, High Rel	50 MHz - 1	26	0.75	5	28	0.63	36	12 / 450	2.32 x 2.32 x 0.71	SMA	EAR99	
PE15A4019	Power	60 MHz - 6	36	1.5	5	29	0.8	39	15 / 530	1.5 x 1 x 0.4	SMA	EAR99	
PE15A4052	High Rel	100 MHz - 18	25	3	8	29	0.8		15 / 1,000	2.04 x 1.7 x 0.85	SMA	EAR99	
PE15A5058	High Power, High Rel	500 MHz - 1	50	2			50		28 / 10,000	5.9 x 3.5 x 1	SMA	EAR99	
PE15A4053	High Rel	500 MHz - 4	30	3	6	30	1		12 / 1,500	1.97 x 0.93 x 0.35	SMA	EAR99	
PE15A5061	High Power, High Rel	800 MHz - 1	53	2			53		28 / 25,000	7.9 x 5.9 x 0.98	SMA	EAR99	
PE15A5034F	Power w/ Fan	800 MHz - 4.2	31	2	30.8	1.2	31.8	41	13 / 1,000	4 x 2.9 x 2.1	SMA	EAR99	
PE15A5034	Power	800 MHz - 4.2	31	2	30.8	1.2	31.8	41	13 / 800	3 x 2.2 x 0.6	SMA	EAR99	
PE15A4026	Power	820 MHz - 960 MHz	15	0.5	2	30	1	46	12 / 500	1.2 x 1 x 0.4	SMA	EAR99	
PE15A4025	Power	1 - 2	35	0.75	1.5	33	2	42	12 / 600	2.75 x 1.45 x 0.5	SMA	EAR99	

功率放大器 (<4W)

所有产品均备货在库且可当天发货



续

PE P/N	Amplifier Type	Frequency Band (GHz)	Gain (dB)	Gain Variation +/- (dB)	NF (dB)	P1dB (dBm)	P1dB (Watts)	Psat (dBm)	IP3 (dBm)	DC Power (Volts/mA)	Mechanical Dimensions L(in) X W(in) X H(in)	Connector Type	ECCN
PE15A4016	High Power	1 - 2	35	0.75	1.5	36	4		45	12 / 800	2.75 x 1.45 x 0.5	SMA	EAR99
PE15A4010	Power, High Rel	1.2 - 1.4	46	0.5	2			28		12 / 400	2.36 x 1.93 x 0.57	SMA	EAR99
PE15A4011	High Power	2 - 4.4	32	0.5	10	36	4	37	37	8 / 150	1.2 x 1.5 x 0.56	SMA	EAR99
PE15A4054	High Rel	2 - 8	38	2.5	5.5	30	1			12 / 1,200	1.82 x 0.93 x 0.35	SMA	EAR99
PE15A4055	High Rel	2 - 12	35	4		33	2		40	15 / 4,500	2.22 x 2 x 0.6	SMA	EAR99
PE15A4056	High Rel	2 - 18	30	2.5		30	1		37	12 / 2,500	2.22 x 1.7 x 0.6	SMA	EAR99
PE15A4057	Power, High Rel	2 - 18	30	4		33	2		40	12 / 5,000	2.22 x 2 x 0.6	SMA	EAR99
PE15A4058	High Rel	2 - 20	30	5.5		31	1.26		38	12 / 4,500	2.22 x 1.7 x 0.6	SMA	EAR99
PE15A5022	High Power, High Rel	2.2 - 2.7	50	1.5				49		28 / 11,000	7.7 x 6.7 x 0.985	SMA	EAR99
PE15A5002	High Power, High Rel	3.1 - 3.5	45	1.5	4			40		15 / 5,000	3.64 x 3.87 x 0.67	SMA	EAR99
PE15A4012	High Power	3.5 - 7	26	2	11	36	4	37	45	8 / 1,600	1.2 x 1.5 x 0.56	SMA	EAR99
PE15A4060	High Rel	6 - 12	47	2.5	6.5	30.5	1.12			12 / 1,500	1.97 x 0.93 x 0.35	SMA	EAR99
PE15A4061	High Rel	6 - 18	30	2.5	7	27	0.5			12 / 800	1.53 x 0.93 x 0.35	SMA	EAR99
PE15A5048	High Rel	6 - 18	35	3.5		33	2		40	12 / 2,500	2.22 x 1.7 x 0.6	SMA	EAR99
PE15A4062	High Rel	6 - 18	38	3.5	10	30	1			12 / 1,800	1.75 x 0.93 x 0.35	SMA	EAR99
PE15A4013	High Power	7.5 - 11	25	2		33	2	37		7 / 1,000	1.2 x 1.5 x 0.56	SMA	EAR99
PE15A4014	Power	8 - 11	25	2		31	1.26	34		6 / 200	1.2 x 1.5 x 0.56	SMA	EAR99
PE15A4015	High Power	8 - 11	28	3		32	1.585	36		6 / 200	1.2 x 1.5 x 0.56	SMA	EAR99
PE15A5051	High Rel	8 - 12	30	2		33	2		40	12 / 2,500	1.97 x 0.93 x 0.35	SMA	EAR99
PE15A4008	Power, High Rel	8 - 12	41	1	3.5	30	1	31		12 / 1,200	2.91 x 2.36 x 0.63	SMA	EAR99
PE15A4063	High Rel	8 - 12.4	30	1.75	6	27	0.5			12 / 800	1.53 x 0.93 x 0.35	SMA	EAR99
PE15A4006	Power, High Rel	8.5 - 11	30	0.5	3	30	1		38	15 / 900	2.1 x 1.15 x 0.42	SMA	EAR99
PE15A4007	Power, High Rel	8.5 - 11	30	0.75	5	36	4		45	12 / 4,500	3.87 x 3.64 x 0.67	SMA	EAR99
PE15A5021	Power, High Rel	14.4 - 15.4	43	0.5		34.8	3.02		41	15 / 1,500	3.25 x 2.25 x 0.5	SMA	EAR99
PE15A4064	High Rel	18 - 26.5	28	2.5	7	27	0.5			12 / 1,150	1.08 x 1.48 x 0.35	SMA	EAR99
PE15A4021	Power	18 - 26.5	33	1.25	5	31	1.26		38	12 / 1,800	1.9 x 1.5 x 0.5	2.92mm	EAR99
PE15A5054	High Rel	18 - 26.5	35	3		33	2		40	12 / 3,500	2.63 x 2.8 x 0.85	SMA	EAR99
PE15A4065	High Rel	18 - 40	35	4	9	23	0.2			12 / 1,000	1.05 x 1.48 x 0.35	2.92mm	EAR99
PE15A4050	Power	26.5 - 40	35	3	4.5	20	0.1	22	28	12 / 270	1.5 x 1 x 0.4	2.92mm	EAR99
PE15A4067	High Rel	26.5 - 40	35	4	10			27		12 / 3,000	2.22 x 1.70 x 0.60	2.92mm	EAR99
PE15A4069	High Rel	30 - 40	20	2				20		12 / 350	0.83 x 1.48 x 0.35	2.92mm	EAR99

高功率放大器 (>4W)

所有产品均备货在库且可当天发货



PE P/N	Amplifier Type	Frequency Band (GHz)	Gain (dB)	Gain Variation +/- (dB)	NF (dB)	P1dB (dBm)	P1dB (Watts)	Psat (dBm)	IP3 (dBm)	DC Power (Volts/mA)	Mechanical Dimensions L(in) X W(in) X H(in)	Connector Type	ECCN
PE15A5028	High Power, High Rel	0.15 MHz - 230 MHz	43	1.5		41.8	15.135	44	48	28 / 5,000	6 x 3 x 1.1	SMA	EAR99
PE15A5028F	High Power, High Rel	0.15 MHz - 230 MHz	43	1.5		41.8	15.135	44	48	28 / 5,500	8.7 x 5.2 x 3.5	SMA	EAR99
PE15A5029	High Power, High Rel	0.5 MHz - 500 MHz	44	1.5		40	10	39	42	28 / 2,000	6 x 3 x 1.1	SMA	EAR99
PE15A5029F	High Power w/ Fan, High Rel	0.5 MHz - 500 MHz	44	1.5		40	10	39	42	28 / 2,000	8.3 x 5.2 x 3.5	SMA	EAR99
PE15A5031	High Power, High Rel	20 MHz - 1	46	1.5		40	10	44	48	28 / 5,200	6 x 3 x 1.1	SMA	EAR99
PE15A5031F	High Power w/ Fan, High Rel	20 MHz - 1	46	1.5		40	10	44	48	28 / 5,800	6 x 3 x 1.1	SMA	EAR99
PE15A5013	High Power, High Rel	500 MHz - 2.8	37	2		37	5.01		52	12 / 1,800	5 x 2.5 x 2.2	SMA	EAR99
PE15A5004	High Power	700 MHz - 2.2	30		10	38	6.31	38.5	38.5	30 / 300	1.2 x 1.5 x 0.56	SMA	EAR99
PE15A5040	High Power	800 MHz - 960 MHz	30	1	3	38	6.31		50	12 / 1,800	2.08 x 1.45 x 0.5	SMA	EAR99
PE15A5041	High Power	800 MHz - 960 MHz	37	1	3	38	6.31		50	12 / 1,800	2.08 x 1.45 x 0.5	SMA	EAR99
PE15A5010	High Power, High Rel	800 MHz - 1	50	0.5		47	50.12		66	12 / 15,000	7.5 x 3.97 x 0.79	SMA	EAR99
PE15A5035	High Power, High Rel	800 MHz - 2	41	1.5		40	10	40.8	50	13 / 5,000	6.8 x 2.7 x 1	SMA	EAR99
PE15A5035F	High Power, High Rel	800 MHz - 2	41	1.5		40	10	40.8	50	13 / 5,500	8.7 x 5.2 x 3.5	SMA	EAR99
PE15A5020	High Power, Class A, High Rel	800 MHz - 2.5	40	2		41	12.6		50	12 / 5,500	6 x 3.5 x 0.69	SMA	EAR99
PE15A5042	High Power	860 MHz - 960 MHz	42	1	3.5	41	12.6	42.5	55	12 / 2,800	3.54 x 1.75 x 0.55	SMA	EAR99
PE15A5039	High Power	860 MHz - 960 MHz	42	1	3.5	44	25.12		58	12 / 6,500	5 x 3 x 0.85	SMA	EAR99
PE15A5036F	High Power w/ Fan, High Rel	1 - 2.5	40	1.5		39	8	40	46	13 / 5,500	8.7 x 5.2 x 3.5	SMA	EAR99
PE15A5036	High Power, High Rel	1 - 2.5	44	1.5		41	12.6	40	46	13 / 5,000	6.8 x 2.7 x 1	SMA	EAR99
PE15A5037	High Power, High Rel	1 - 3	44	1.5		37.8	6.025	39	48	13 / 3,000	6.8 x 2.7 x 1	SMA	EAR99
PE15A5037F	High Power w/ Fan, High Rel	1 - 3	44	1.5		37.8	6.025	39	48	13 / 4,000	8.7 x 5.2 x 3.5	SMA	EAR99
PE15A5001	High Power, High Rel	1.2 - 1.4	40	0.3		40	10			12 / 4,000	3.64 x 3.87 x 0.67	SMA	EAR99
PE15A5005	High Power	1.5 - 3.5	20	1.25	10	38.5	7.1	39	45		1.2 x 1.5 x 0.56	SMA	EAR99
PE15A5014	High Power, High Rel	1.7 - 2	50	0.5		43	20		60	12 / 6,000	6 x 3.5 x 0.69	SMA	EAR99
PE15A5015	High Power, High Rel	1.7 - 2.5	11	0.5		37	5.01			12 / 800	3.75 x 1.9 x 0.493	SMA	EAR99
PE15A5038	Power	2 - 4	39	1.5		37.8	6.025	39	48	13 / 3,000	6.8 x 2.7 x 1	SMA	EAR99
PE15A5038F	Power	2 - 4	39	1.5		37.8	6.025	39	48	13 / 5,500	8.7 x 5.2 x 3.5	SMA	EAR99
PE15A5047	High Rel	2 - 6	40	3.5		37	5.01		44	12 / 7,000	2.22 x 1.7 x 0.6	SMA	EAR99
PE15A5018	High Power, High Rel	2.3 - 2.7	55	0.5		41.5	14.125		53	12 / 5,500	6 x 3.5 x 0.69	SMA	EAR99
PE15A5006	High Power	2.5 - 4	19	0.5	8	38	6.31	38.5	45	13 / 400	1.2 x 1.5 x 0.56	SMA	EAR99

高功率放大器 (>4W)

所有产品均备货在库且可当天发货

续



PE P/N	Amplifier Type	Frequency Band (GHz)	Gain (dB)	Gain Variation +/- (dB)	NF (dB)	P1dB (dBm)	P1dB (Watts)	Psat (dBm)	IP3 (dBm)	DC Power (Volts/mA)	Mechanical Dimensions L(in) X W(in) X H(in)	Connector Type	ECCN
PE15A5007	High Power	2.6 - 4.2	19	1	9	39	8	39	47	16 / 380	1.2 x 1.5 x 0.56	SMA	EAR99
PE15A5023	High Power, High Rel	3.1 - 3.5	8	0.5		37	5.01			12 / 750	3.75 x 1.9 x 0.493	SMA	EAR99
PE15A5003	High Power, High Rel	3.1 - 3.5	47	1.5	3.5	43	20			12 / 9,000	2.85 x 7.99 x 0.63	SMA	EAR99
PE15A5008	High Power	3.5 - 7	19	2	12	37	5.01	38	47	16 / 375	1.2 x 1.5 x 0.56	SMA	EAR99
PE15A5009	High Power	5.5 - 9.5	24	2	8.5	37	5.01	38	47	8 / 2,600	1.2 x 1.5 x 0.56	SMA	EAR99
PE15A5050	High Rel	6 - 18	40	5		40	10		46	12 / 1,300	2.63 x 2.8 x 0.85	SMA	EAR99
PE15A5049	High Rel	6 - 18	41	5		37	5.01		44	12 / 7,500	2.2 x 2 x 0.85	SMA	EAR99
PE15A5053	High Rel	8 - 12	30	2.5		40	10		47	12 / 14,000	2.65 x 2 x 0.85	SMA	EAR99
PE15A5052	High Rel	8 - 12	40	2		37	5.01		44	12 / 6,000	2.22 x 1.7 x 0.6	SMA	EAR99
PE15A5044	High Power, High Rel	8.5 - 10.5	36	1.5		38.5	7.1		47	12 / 4,000	2.36 x 2.91 x 0.63	SMA	EAR99
PE15A5043	High Power, High Rel	8.5 - 11	30	0.75	5	38.5	7.1		46	12 / 7,500	3.87 x 3.64 x 0.67	SMA	EAR99
PE15A4020	High Power	17.5 - 21.5	40	1.5	5	37	5.01		45	12 / 3,500	2.6 x 2 x 0.5	2.92mm	EAR99

GaN高功率放大器

所有产品均备货在库且可当天发货



PE P/N	Amplifier Type	Frequency Band (GHz)	Gain (dB)	Gain Variation +/- (dB)	NF (dB)	P1dB (dBm)	P1dB (Watts)	Psat (dBm)	IP3 (dBm)	DC Power (Volts/mA)	Mechanical Dimensions L(in) X W(in) X H(in)	Connector Type	ECCN
PE15A5011	High Power, High Rel	30 MHz - 2.5	43	2				40		12 / 2,800	3.75 x 2 x 0.52	SMA	EAR99
PE15A5027	High Power	100 MHz - 6	60	1.25	10			40		28 / 2,200	2.5 x 2.75 x 0.45	SMA	EAR99
PE15A5059	High Power, High Rel	500 MHz - 2.5	48	2				48		28 / 7,000	5.5 x 3.3 x 0.98	SMA	EAR99
PE15A5060	High Power, High Rel	500 MHz - 2.5	50	2				50		28 / 13,000	7.08 x 3.54 x 0.98	SMA	EAR99
PE15A5032	High Power, High Rel	500 MHz - 3	48	2		44	25.12	47	52	36 / 8,333	6 x 5 x 1.1	SMA	EAR99
PE15A5032F	High Power w/ Fan, High Rel	500 MHz - 3	48	2		44	25.12	47	52	36 / 8,333	9.8 x 9.744 x 4.1	SMA	EAR99
PE15A5033	High Power, High Rel	700 MHz - 2.7	45	1.5				50		30 / 8,733	7.25 x 4.25 x 0.95	SMA	EAR99
PE15A5033F	High Power w/ Fan, High Rel	700 MHz - 2.7	45	1.5				50		30 / 8,733	10.75 x 7 x 3.75	SMA	EAR99
PE15A5017	High Power, High Rel	700 MHz - 6	43	2				40		32 / 2,000	3.75 x 1.75 x 1.06	SMA	EAR99
PE15A5062	High Power, High Rel	800 MHz - 4.2	47	2				47		28 / 13,000	7.08 x 4.72 x 0.98	SMA	EAR99
PE15A5063	High Power, High Rel	1 - 2	53	1.5				53		28 / 20,000	7.87 x 5.9 x 0.98	SMA	EAR99

GaN高功率放大器

所有产品均备货在库且可当天发货



续

PE P/N	Amplifier Type	Frequency Band (GHz)	Gain (dB)	Gain Variation +/- (dB)	NF (dB)	P1dB (dBm)	P1dB (Watts)	Psat (dBm)	IP3 (dBm)	DC Power (Volts/mA)	Mechanical Dimensions L(in) X W(in) X H(in)	Connector Type	ECCN
PE15A5026	High Power	1 - 3	50	1.25	10			47		45 / 4,000	2.5 x 2.75 x 0.45	SMA	EAR99
PE15A5064	High Power, High Rel	1.2 - 1.6	48	2.5				48		28 / 8,000	5.51 x 3.35 x 0.81	SMA	EAR99
PE15A5066	High Power, High Rel	2 - 6	43	2				43		28 / 5,000	6.23 x 3.94 x 0.98	SMA	EAR99
PE15A5067	High Power, High Rel	2 - 6	46	2				46		28 / 6,000	6.2 x 3 x 0.98	SMA	EAR99
PE15A5024	High Power, High Rel	2 - 6	50	1.25	7			44		28 / 3,000	2.5 x 2.75 x 0.45	SMA	EAR99
PE15A5025	High Power, High Rel	2 - 6	50	1.25	7			47		28 / 6,000	2.5 x 2.75 x 0.45	SMA	EAR99
PE15A5068	High Power, High Rel	2 - 18	37	3.5				37		22 / 2,500	4.72 x 3.15 x 0.87	SMA	EAR99
PE15A5069	High Power, High Rel	6 - 10	43	2				43		24 / 7,000	6.3 x 4.7 x 0.86	SMA	EAR99
PE15A5070	High Power, High Rel	6 - 18	40	3				40		28 / 3,000	5.9 x 3.54 x 0.98	SMA	EAR99
PE15A5016	High Power, High Rel	6.4 - 7.1	58	2				43		33 / 2,300	6 x 2.5 x 1.06	SMA	EAR99
PE15A5019	High Power, High Rel	7.2 - 7.5	58	2				41.76		33 / 2,300	6 x 2.5 x 1.06	SMA	EAR99
PE15A5071	High Power, High Rel	8 - 12	43	2				43		28 / 5,000	6.3 x 4.7 x 0.98	SMA	EAR99
PE15A5072	High Power, High Rel	8 - 12	46	2				46		28 / 9,000	6.3 x 4.7 x 0.86	SMA	EAR99

双向放大器

所有产品均备货在库且可当天发货



PE P/N	Amplifier Type	Frequency Band (GHz)	Tx Gain (dB)	Gain Variation +/- (dB)	P1dB (Watts) Linear	Rx P1dB (dBm)	Rx NF (dB)	Rx Gain (dB)	DC Power Tx (Volts/mA)	Mechanical Dimensions L(in) X W(in) X H(in)	Connector Type	ECCN
PE15B5002	Bi-Directional	30 MHz - 3	23	1.5	0.003	4	4	20	28 / 600	3.25 x 2 x 1	SMA	EAR99
PE15B5001	Bi-Directional	1.35 - 1.39	22	0.5	0.1	20	2.5	10	28 / 2,400	3.33 x 2.69 x 0.65	SMA	EAR99
PE15B5000	Bi-Directional	2.4 - 2.5	20	0.5	0.1	20	2.5	11	28 / 2,400	3.33 x 2.69 x 0.69	SMA	EAR99

架装可变增益放大器

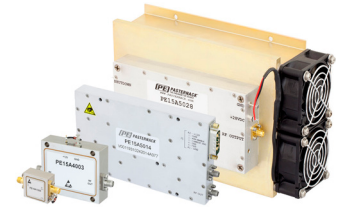
所有产品均备货在库且可当天发货



PE P/N	Amplifier Type	Frequency Band (GHz)	Gain (dB)	Gain Variation +/- (dB)	NF (dB)	Atten. Range (dB)	Step Size (dB)	P1dB (dBm)	AC Power (VAC)	Mechanical Dimensions L(in) X W(in) X H(in)	Connector Type	ECCN
PE15A7000	Variable Gain	100 MHz - 18	50	2	6.5	0 - 60	1	14	120	19 x 10.79 x 1.73	SMA	EAR99

高可靠性放大器

所有产品均备货在库且可当天发货



PE P/N	Amplifier Type	Frequency Band (GHz)	Gain (dB)	Gain Variation +/- (dB)	NF (dB)	P1dB (dBm)	P1dB (Watts)	Psat (dBm)	IP3 (dBm)	DC Power (Volts/mA)	Mechanical Dimensions L(in) X W(in) X H(in)	Connector Type	MIL Specs	ECCN
PE15A5028	High Rel	0.15 MHz - 230 MHz	43	1.5		41.8	15.135	44	48	28 / 5,000	6 x 3 x 1.1	SMA	*1	EAR99
PE15A5028F	High Rel	0.15 MHz - 230 MHz	43	1.5		41.8	15.135	44	48	28 / 5,500	8.7 x 5.2 x 3.5	SMA	*1	EAR99
PE15A5029	High Rel	0.5 MHz - 500 MHz	44	1.5		40	10	39	42	28 / 2,000	6 x 3 x 1.1	SMA	*1	EAR99
PE15A5029F	High Rel	0.5 MHz - 500 MHz	44	1.5		40	10	39	42	28 / 2,000	8.3 x 5.2 x 3.5	SMA	*1	EAR99
PE15A5030	High Rel	1 MHz - 1	36	1.5		33	2	36	39	28 / 1,200	6 x 3 x 1.1	SMA	*1	EAR99
PE15A5030F	High Rel	1 MHz - 1	36	1.5		33	2	36	39	28 / 1,700	8.7 x 5.2 x 3.5	SMA	*1	EAR99
PE15A5055	High Rel	1.5 MHz - 30 MHz	47	2				47		28 / 5,000	5.9 x 3.5 x 0.98	SMA		EAR99
PE15A5056	High Rel	1.5 MHz - 100 MHz	47	2				47		28 / 5,000	5.9 x 3.5 x 0.98	SMA		EAR99
PE15A4031	High Rel	10 MHz - 6	13	0.75	5	29.5	0.9		40	15 / 450	2.305 x 2.6 x 0.54	SMA	*4	EAR99
PE15A4032	High Rel	10 MHz - 6	24	0.75	5	29.5	0.9		42	15 / 740	2.305 x 2.6 x 0.54	SMA	*4	EAR99
PE15A3037	High Rel	10 MHz - 15	12	0.3	4	28	0.6	29	36	16 / 360	4.23 x 1.7 x 1.68	SMA	*4	EAR99
PE15A3036	High Rel	10 MHz - 15	12	0.3	4.5	28	0.6	29	36	14 / 360	1.086 x 0.722 x 0.375	SMA	*4	EAR99
PE15A4029	High Rel	10 MHz - 20	13	0.75	3	23	0.2	25	30	15 / 225	0.86 x 0.7 x 0.29	SMA	*4	EAR99
PE15A3272	High Rel	10 MHz - 20	15	0.5	3	22	0.2	24	30	12 / 195	0.86 x 0.7 x 0.29	SMA	*4	EAR99
PE15A5065	High Rel	20 MHz - 520 MHz	51	2				51		28 / 9,000	5.9 x 3.54 x 1	SMA		EAR99
PE15A5031	High Rel	20 MHz - 1	46	1.5		40	10	44	48	28 / 5,200	6 x 3 x 1.1	SMA	*1	EAR99
PE15A5031F	High Rel	20 MHz - 1	46	1.5		40	10	44	48	28 / 5,800	6 x 3 x 1.1	SMA	*1	EAR99
PE15A5057	High Rel	20 MHz - 1	49	2				49		28 / 11,000	5.9 x 3.5 x 1	SMA		EAR99
PE15A5011	High Rel	30 MHz - 2.5	43	2				40		12 / 2,800	3.75 x 2 x 0.52	SMA	*2	EAR99
PE15B5002	High Rel	30 MHz - 3	23	1.5	4	4	0.003			28 / 600	3.25 x 2 x 1	SMA	*1	EAR99
PE15A3254	High Rel	30 MHz - 20	15	2.5	3	20	0.1			15 / 180	1.08 x 0.71 x 0.29	SMA	*2	EAR99
PE15A4009	High Rel	50 MHz - 1	26	0.75	5	28	0.63		36	12 / 450	2.32 x 2.32 x 0.71	SMA	*3	EAR99
PE15A4052	High Rel	100 MHz - 18	25	3	8	29	0.8			15 / 1,000	2.04 x 1.7 x 0.85	SMA	*2	EAR99
PE15A7000	High Rel	100 MHz - 18	50	2	6.5	14	0.025				19 x 10.79 x 1.73	SMA	*2	EAR99
PE15A3267	High Rel	100 MHz - 26.5	15	2	5	15	0.032		23	15 / 200	0.9 x 1.05 x 0.38	SMA	*3	EAR99
PE15A5058	High Rel	500 MHz - 1	50	2				50		28 / 10,000	5.9 x 3.5 x 1	SMA		EAR99
PE15A4038	High Rel	500 MHz - 2	14	0.4	2.7	24	0.3		34	12 / 180	1.1 x 0.9 x 0.5	SMA	*3	EAR99
PE15A8004	High Rel	500 MHz - 2	17	0.4	1.8				25	12 / 70	1.1 x 0.9 x 0.5	SMA	*3	EAR99

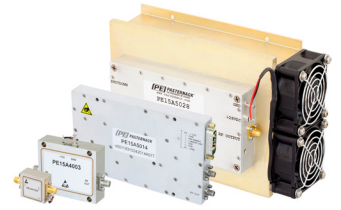
Notes: *1 = 以符合MIL-STD-810测试条件为设计目的;
*3 = 以符合MIL-STD-202测试条件为设计目的且已通过环保筛选

*2 = 以符合MIL-STD-202测试条件为设计目的;
*4 = 以符合MIL-STD-883测试条件为设计目的

高可靠性放大器

所有产品均备货在库且可当天发货

续



PE P/N	Amplifier Type	Frequency Band (GHz)	Gain (dB)	Gain Variation +/- (dB)	NF (dB)	P1dB (dBm)	P1dB (Watts)	Psat (dBm)	IP3 (dBm)	DC Power (Volts/mA)	Mechanical Dimensions L(in) X W(in) X H(in)	Connector Type	MIL Specs	ECCN
PE15A3014	High Rel	500 MHz - 2	30	0.6	2.7	24	0.3		34	12 / 240	0.9 x 1.1 x 0.5	SMA	*3	EAR99
PE15A3015	High Rel	500 MHz - 2	46	0.8	2.7	24	0.3		34	12 / 300	1.35 x 0.9 x 0.5	SMA	*3	EAR99
PE15A8005	High Rel	500 MHz - 2	50	1.8					25	12 / 180	1.083 x 1.093 x 0.382	SMA	*3	EAR99
PE15A4039	High Rel	500 MHz - 2.5	24	0.5	3.5	24	0.3			12 / 240	1.13 x 0.5 x 0.9	SMA	*3	EAR99
PE15A5059	High Rel	500 MHz - 2.5	48	2				48		28 / 7,000	5.5 x 3.3 x 0.98	SMA		EAR99
PE15A5060	High Rel	500 MHz - 2.5	50	2				50		28 / 13,000	7.08 x 3.54 x 0.98	SMA		EAR99
PE15A5013	High Rel	500 MHz - 2.8	37	2		37	5.01		52	12 / 1,800	5 x 2.5 x 2.2	SMA	*2	EAR99
PE15A5032	High Rel	500 MHz - 3	48	2		44	25.12	47	52	36 / 8,333	6 x 5 x 1.1	SMA	*1	EAR99
PE15A5032F	High Rel	500 MHz - 3	48	2		44	25.12	47	52	36 / 8,333	9.8 x 9.744 x 4.1	SMA	*1	EAR99
PE15A4053	High Rel	500 MHz - 4	30	3	6	30	1			12 / 1,500	1.97 x 0.93 x 0.35	SMA	*2	EAR99
PE15A2000	High Rel	500 MHz - 4									3.2 x 1.8 x 0.4	SMA	*2	EAR99
PE15A3263	High Rel	500 MHz - 18	33	1.5	4	15	0.032			12 / 220	1.093 x 1.33 x 0.382	SMA	*3	EAR99
PE15A2003	High Rel	500 MHz - 18									3 x 3.5 x 0.5	SMA	*2	EAR99
PE15A3253	High Rel	500 MHz - 20	14	1.75	3	14	0.025			15 / 75	1.08 x 0.71 x 0.29	SMA	*2	EAR99
PE15A5033	High Rel	700 MHz - 2.7	45	1.5				50		30 / 8,733	7.25 x 4.25 x 0.95	SMA	*1	EAR99
PE15A5033F	High Rel	700 MHz - 2.7	45	1.5				50		30 / 8,733	10.75 x 7 x 3.75	SMA	*1	EAR99
PE15A5017	High Rel	700 MHz - 6	43	2				40		32 / 2,000	3.75 x 1.75 x 1.06	SMA	*2	EAR99
PE15A5010	High Rel	800 MHz - 1	50	0.5		47	50.12		66	12 / 15,000	7.5 x 3.97 x 0.79	SMA	*2	EAR99
PE15A5061	High Rel	800 MHz - 1	53	2				53		28 / 25,000	7.9 x 5.9 x 0.98	SMA		EAR99
PE15A5035	High Rel	800 MHz - 2	41	1.5		40	10	40.8	50	13 / 5,000	6.8 x 2.7 x 1	SMA	*1	EAR99
PE15A5035F	High Rel	800 MHz - 2	41	1.5		40	10	40.8	50	13 / 5,500	8.7 x 5.2 x 3.5	SMA	*1	EAR99
PE15A5020	High Rel	800 MHz - 2.5	40	2		41	12.6		50	12 / 5,500	6 x 3.5 x 0.69	SMA	*2	EAR99
PE15A5062	High Rel	800 MHz - 4.2	47	2				47		28 / 13,000	7.08 x 4.72 x 0.98	SMA		EAR99
PE15A3264	High Rel	800 MHz - 5.5	20	0.5		25	0.3	28	34	12 / 750	1.093 x 1.33 x 0.382	SMA	*3	EAR99
PE15A1000	High Rel	1 - 2	35	1	1.5	10	0.01	10		13 / 200	1.77 x 1 x 0.5	SMA	*3	EAR99
PE15A5063	High Rel	1 - 2	53	1.5				53		28 / 20,000	7.87 x 5.9 x 0.98	SMA		EAR99
PE15A6002	High Rel	1 - 2	60	2.5	2.5	-40 to 10		19		13 / 250	1.602 x 0.66 x 0.38	SMA	*3	EAR99
PE15A5036F	High Rel	1 - 2.5	40	1.5		39	8	40	46	13 / 5,500	8.7 x 5.2 x 3.5	SMA	*1	EAR99

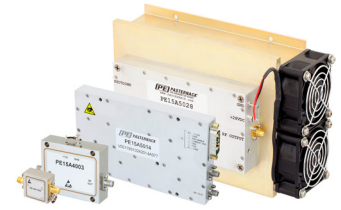
Notes: *1 = 以符合MIL-STD-810测试条件为设计目的;
*3 = 以符合MIL-STD-202测试条件为设计目的且已通过环保筛选

*2 = 以符合MIL-STD-202测试条件为设计目的;
*4 = 以符合MIL-STD-883测试条件为设计目的

高可靠性放大器

所有产品均备货在库且可当天发货

续



PE P/N	Amplifier Type	Frequency Band (GHz)	Gain (dB)	Gain Variation +/- (dB)	NF (dB)	P1dB (dBm)	P1dB (Watts)	Psat (dBm)	IP3 (dBm)	DC Power (Volts/mA)	Mechanical Dimensions L(in) X W(in) X H(in)	Connector Type	MIL Specs	ECCN
PE15A5036	High Rel	1 - 2.5	44	1.5		41	12.6	40	46	13 / 5,000	6.8 x 2.7 x 1	SMA	*1	EAR99
PE15A5037	High Rel	1 - 3	44	1.5		37.8	6.025	39	48	13 / 3,000	6.8 x 2.7 x 1	SMA	*1	EAR99
PE15A5037F	High Rel	1 - 3	44	1.5		37.8	6.025	39	48	13 / 4,000	8.7 x 5.2 x 3.5	SMA	*1	EAR99
PE15A1031	High Rel	1 - 12	16		1.75	17	0.05			6 / 60	1.14 x 1.9 x 0.56	SMA	*3	EAR99
PE15A3262	High Rel	1 - 18	30	1.5		19	0.1	20		12 / 240	1.093 x 1.33 x 0.382	SMA	*3	EAR99
PE15A3500	High Rel	1 - 20	60	3	5	10	0.01				4.92 x 4.92 x 2.1	SMA	*2	EAR99
PE15A3513	High Rel	1 - 20	60	3	5	10	0.01				4.92 x 4.92 x 2.1	SMA	*2	EAR99
PE15A3514	High Rel	1 - 40	40	2.5	5	10	0.01			12 /	4.92 x 4.92 x 2.26	2.92mm	*2	EAR99
PE15A3515	High Rel	1 - 40	40	2.5	5	10	0.01			12 /	4.92 x 4.92 x 2.1	2.92mm	*2	EAR99
PE15A3595	High Rel	1 - 40	40	2.5	5	22	0.2			12 /	4.92 x 4.92 x 2.1	2.92mm	*2	EAR99
PE15A1023	High Rel	1.2 - 1.4	25	0.75	1.5	10	0.01			13.2 / 150	2.32 x 2.32 x 0.71	SMA	*3	EAR99
PE15A1024	High Rel	1.2 - 1.4	35	0.75	1.5	17	0.05			13.2 / 180	2.32 x 2.32 x 0.71	SMA	*3	EAR99
PE15A5001	High Rel	1.2 - 1.4	40	0.3		40	10			12 / 4,000	3.64 x 3.87 x 0.67	SMA	*3	EAR99
PE15A1005	High Rel	1.2 - 1.4	40	0.75	1.5	15	0.032			13.2 / 200	1.78 x 1.17 x 0.382	SMA	*3	EAR99
PE15A4010	High Rel	1.2 - 1.4	46	0.5	2			28		12 / 400	2.36 x 1.93 x 0.57	SMA	*3	EAR99
PE15A5064	High Rel	1.2 - 1.6	48	2.5				48		28 / 8,000	5.51 x 3.35 x 0.81	SMA		EAR99
PE15B5001	High Rel	1.35 - 1.39	22	0.5	2.5	20	0.1			28 / 2,400	3.33 x 2.69 x 0.65	SMA	*1	EAR99
PE15A1034	High Rel	1.5 - 5	14		4.5	17	0.05		27	9 / 170	1.14 x 1.9 x 0.56	SMA		EAR99
PE15A5014	High Rel	1.7 - 2	50	0.5		43	20		60	12 / 6,000	6 x 3.5 x 0.69	SMA	*2	EAR99
PE15A5015	High Rel	1.7 - 2.5	11	0.5		37	5.01			12 / 800	3.75 x 1.9 x 0.493	SMA	*2	EAR99
PE15A3276	High Rel	1.8 - 4.2	26		1.2	15.5	0.035	17.5	26	12 / 105	1.086 x 0.85 x 0.34	SMA	*4	EAR99
PE15A1001	High Rel	2 - 4	38	1	2	13	0.02	13		13 / 200	2.283 x 1.093 x 0.382	SMA	*3	EAR99
PE15A6015	High Rel	2 - 4	40		2.5	-20 to 10		19		15 / 200	1.358 x 0.66 x 0.38	SMA	*3	EAR99
PE15A4040	High Rel	2 - 6	13	0.4	5.4	23	0.2		33	12 / 180	1.083 x 1.093 x 0.382	SMA	*3	EAR99
PE15A4041	High Rel	2 - 6	22	0.6	5.4	27	0.5		37	12 / 420	1.083 x 1.093 x 0.382	SMA	*3	EAR99
PE15A4003	High Rel	2 - 6	32	1	5	33	2		42	15 / 1,700	1.93 x 2.36 x 0.67	SMA	*3	EAR99
PE15A4005	High Rel	2 - 6	33	1	5	30	1		39	12 / 1,000	1.837 x 1.15 x 0.67	SMA	*3	EAR99
PE15A4042	High Rel	2 - 6	36	1.5	6	34	2.5			15 / 2,200	3.87 x 3.64 x 0.67	SMA		EAR99

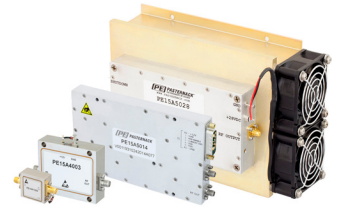
Notes: *1 = 以符合MIL-STD-810测试条件为设计目的;
*3 = 以符合MIL-STD-202测试条件为设计目的且已通过环保筛选

*2 = 以符合MIL-STD-202测试条件为设计目的;
*4 = 以符合MIL-STD-883测试条件为设计目的

高可靠性放大器

所有产品均备货在库且可当天发货

续



PE P/N	Amplifier Type	Frequency Band (GHz)	Gain (dB)	Gain Variation +/- (dB)	NF (dB)	P1dB (dBm)	P1dB (Watts)	Psat (dBm)	IP3 (dBm)	DC Power (Volts/mA)	Mechanical Dimensions L(in) X W(in) X H(in)	Connector Type	MIL Specs	ECCN
PE15A5047	High Rel	2-6	40	3.5		37	5.01		44	12 / 7,000	2.22 x 1.7 x 0.6	SMA	*2	EAR99
PE15A5066	High Rel	2-6	43	2					43	28 / 5,000	6.23 x 3.94 x 0.98	SMA		EAR99
PE15A4043	High Rel	2-6	44	1	4.5	35	3.2		45	12 / 4,200	3.87 x 3.64 x 0.67	SMA	*3	EAR99
PE15A3503	High Rel	2-6	44	1	5	30	1		39	15 / 1,050	1.837 x 1.15 x 0.67	SMA	*3	EAR99
PE15A3504	High Rel	2-6	44	1	5	33	2		42	15 / 1,750	2.36 x 1.93 x 0.67	SMA	*3	EAR99
PE15A5067	High Rel	2-6	46	2					46	28 / 6,000	6.2 x 3 x 0.98	SMA		EAR99
PE15A5024	High Rel	2-6	50	1.25	7				44	28 / 3,000	2.5 x 2.75 x 0.45	SMA	*1,*2	EAR99
PE15A5025	High Rel	2-6	50	1.25	7				47	28 / 6,000	2.5 x 2.75 x 0.45	SMA	*1,*2	EAR99
PE15A6007	High Rel	2-6	80	3	4	-61 to 10		15		13 / 550	1.602 x 0.66 x 0.38	SMA	*3	EAR99
PE15A2001	High Rel	2-6				(See Log Amps Section)					3.75 x 1.5 x 0.5	SMA	*2	EAR99
PE15A3290	High Rel	2-8	14		2.5	13	0.02			12 / 120	1.083 x 1.093 x 0.382	SMA	*3	EAR99
PE15A3291	High Rel	2-8	30		2.5	13	0.02			12 / 150	1.083 x 1.093 x 0.382	SMA	*3	EAR99
PE15A3016	High Rel	2-8	33	1.5		29.4	0.9			8.5 / 941	2.15 x 1.55 x 0.36	SMA	*3	EAR99
PE15A4054	High Rel	2-8	38	2.5	5.5	30	1			12 / 1,200	1.82 x 0.93 x 0.35	SMA	*2	EAR99
PE15A6008	High Rel	2-8	40	2	5	-20 to 20		19		13 / 300	1.6 x 1.15 x 0.42	SMA	*3	EAR99
PE15A4055	High Rel	2-12	35	4		33	2		40	15 / 4,500	2.22 x 2 x 0.6	SMA	*2	EAR99
PE15A1030	High Rel	2-18	12.5		6.5	13	0.02			5 / 80	0.64 x 0.7 x 0.29	SMA		EAR99
PE15A4056	High Rel	2-18	30	2.5		30	1		37	12 / 2,500	2.22 x 1.7 x 0.6	SMA	*2	EAR99
PE15A4057	High Rel	2-18	30	4		33	2		40	12 / 5,000	2.22 x 2 x 0.60	SMA	*2	EAR99
PE15A3265	High Rel	2-18	33	1.5	3.5	13	0.02			12 / 180	1.093 x 1.33 x 0.382	SMA	*3	EAR99
PE15A5068	High Rel	2-18	37	3.5				37		22 / 2,500	4.72 x 3.15 x 0.87	SMA		EAR99
PE15A3271	High Rel	2-20	13	0.5	2	16	0.04	21	26	12 /	0.75 x 0.7 x 0.29	SMA	*4	EAR99
PE15A3270	High Rel	2-20	14.5		2.5	13	0.02	15.5	23	12 / 78	0.64 x 0.59 x 0.29	SMA	*4	EAR99
PE15A4027	High Rel	2-20	15	0.75		26	0.4		30	12 / 310	1.5 x 0.7 x 0.29	SMA	*4	EAR99
PE15A4058	High Rel	2-20	30	5.5		31	1.26		38	12 / 4,500	2.22 x 1.7 x 0.6	SMA	*2	EAR99
PE15A4030	High Rel	2-20	31	0.75	3	26	0.4		30	15 / 400	0.86 x 0.7 x 0.29	SMA	*4	EAR99
PE15A3038	High Rel	2-35	12	0.4	4	18	0.1	18.5	26		1.836 x 0.85 x 0.195	2.92mm	*4	3A001, B.4.C
PE15A5022	High Rel	2.2-2.7	50	1.5				49		28 / 11,000	7.7 x 6.7 x 0.985	SMA	*1	EAR99

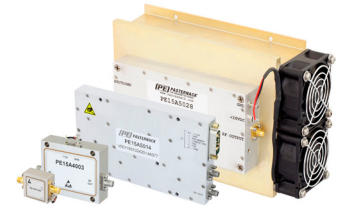
Notes: *1 = 以符合MIL-STD-810测试条件为设计目的;
*3 = 以符合MIL-STD-202测试条件为设计目的且已通过环保筛选

*2 = 以符合MIL-STD-202测试条件为设计目的;
*4 = 以符合MIL-STD-883测试条件为设计目的

高可靠性放大器

所有产品均备货在库且可当天发货

续



PE P/N	Amplifier Type	Frequency Band (GHz)	Gain (dB)	Gain Variation +/- (dB)	NF (dB)	P1dB (dBm)	P1dB (Watts)	Psat (dBm)	IP3 (dBm)	DC Power (Volts/mA)	Mechanical Dimensions L(in) X W(in) X H(in)	Connector Type	MIL Specs	ECCN
PE15A5018	High Rel	2.3 - 2.7	55	0.5		41.5	14.125		53	12 / 5,500	6 x 3.5 x 0.69	SMA	*2	EAR99
PE15B5000	High Rel	2.4 - 2.5	20	0.5	2.5	20	0.1			28 / 2,400	3.33 x 2.69 x 0.69	SMA	*1	EAR99
PE15A1035	High Rel	3 - 8	11		6	14	0.025		25	7 / 250	1.14 x 1.9 x 0.56	SMA		EAR99
PE15A5023	High Rel	3.1 - 3.5	8	0.5		37	5.01			12 / 750	3.75 x 1.9 x 0.493	SMA	*2	EAR99
PE15A4046	High Rel	3.1 - 3.5	30	0.7	4.5	30	1			12 / 900	2.17 x 0.86 x 0.32	SMA	*3	EAR99
PE15A1006	High Rel	3.1 - 3.5	40	0.3	1.1	15	0.032			17 / 150	2.537 x 1.15 x 0.67	SMA	*3	EAR99
PE15A5002	High Rel	3.1 - 3.5	45	1.5	4			40		15 / 5,000	3.64 x 3.87 x 0.67	SMA	*3	EAR99
PE15A5003	High Rel	3.1 - 3.5	47	1.5	3.5	43	20			12 / 9,000	2.85 x 7.99 x 0.63	SMA	*3	EAR99
PE15A1002	High Rel	4 - 8	38	1	2	13	0.02	13		13 / 250	2.283 x 1.093 x 0.382	SMA	*3	EAR99
PE15A9002	High Rel	5 - 9	22.5		1.75	14.8	0.03		25	12 / 105	1.086 x 0.85 x 0.36	SMA	*4	EAR99
PE15A5069	High Rel	6 - 10	43	2				43		24 / 7,000	6.3 x 4.7 x 0.86	SMA		EAR99
PE15A1032	High Rel	6 - 12	11	1	4.5	20	0.1	22	34	7 / 200	1.14 x 1.9 x 0.56	SMA	*4	EAR99
PE15A8006	High Rel	6 - 12	12	0.4	2.3	10	0.01		20	12 / 80	1.083 x 1.093 x 0.382	SMA	*3	EAR99
PE15A4044	High Rel	6 - 12	16	0.6	5	27	0.5		37	12 / 400	1.083 x 1.093 x 0.382	SMA	*3	EAR99
PE15A3292	High Rel	6 - 12	17		2.5	7	0.005			12 / 100	1.083 x 1.093 x 0.382	SMA	*3	EAR99
PE15A4045	High Rel	6 - 12	28	0.8	5	27	0.5			12 / 500	1.333 x 1.093 x 0.382	SMA	*3	EAR99
PE15A3293	High Rel	6 - 12	30		2.5					12 / 200	1.583 x 1.093 x 0.382	SMA	*3	EAR99
PE15A4001	High Rel	6 - 12	37	1.5	6	33	2		42	15 / 2,500	2.36 x 1.93 x 0.67	SMA	*3	EAR99
PE15A4004	High Rel	6 - 12	38	1	5	30	1		39	15 / 1,300	2.36 x 1.55 x 0.5	SMA	*3	EAR99
PE15A3506	High Rel	6 - 12	47	1.5	6	33	2		42	15 / 2,500	2.36 x 1.93 x 0.67	SMA	*3	EAR99
PE15A4060	High Rel	6 - 12	47	2.5	6.5	30.5	1.12			12 / 1,500	1.97 x 0.93 x 0.35	SMA	*2	EAR99
PE15A3505	High Rel	6 - 12	48	1	5	30	1		39	15 / 1,350	2.36 x 1.55 x 0.65	SMA	*3	EAR99
PE15A3295	High Rel	6 - 18	14		3	13	0.02			12 / 100	1.083 x 1.093 x 0.382	SMA	*3	EAR99
PE15A8007	High Rel	6 - 18	17	0.6	4.5	20	0.1			12 / 160	1.083 x 1.093 x 0.382	SMA	*3	EAR99
PE15A3018	High Rel	6 - 18	30	1	3.5	28	0.6			12 / 1,300	2.1 x 1.15 x 0.42	SMA	*3	EAR99
PE15A3019	High Rel	6 - 18	30	1.5		30	1			18 / 1,700	2.65 x 2.5 x 0.45	SMA	*3	EAR99
PE15A4061	High Rel	6 - 18	30	2.5	7	27	0.5			12 / 800	1.53 x 0.93 x 0.35	SMA	*2	EAR99
PE15A3294	High Rel	6 - 18	30		2.5	10	0.01			12 / 200	1.083 x 1.093 x 0.382	SMA	*3	EAR99

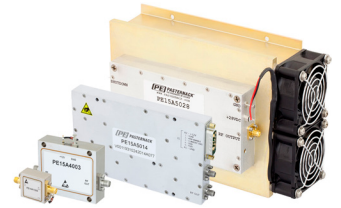
Notes: *1 = 以符合MIL-STD-810测试条件为设计目的;
*3 = 以符合MIL-STD-202测试条件为设计目的且已通过环保筛选

*2 = 以符合MIL-STD-202测试条件为设计目的;
*4 = 以符合MIL-STD-883测试条件为设计目的

高可靠性放大器

所有产品均备货在库且可当天发货

续



PE P/N	Amplifier Type	Frequency Band (GHz)	Gain (dB)	Gain Variation +/- (dB)	NF (dB)	P1dB (dBm)	P1dB (Watts)	Psat (dBm)	IP3 (dBm)	DC Power (Volts/mA)	Mechanical Dimensions L(in) X W(in) X H(in)	Connector Type	MIL Specs	ECCN
PE15A5048	High Rel	6 - 18	35	3.5		33	2		40	12 / 2,500	2.22 x 1.7 x 0.6	SMA	*2	EAR99
PE15A3017	High Rel	6 - 18	36	2		27	0.5			15 / 800	1.093 x 2.083 x 0.382	SMA	*3	EAR99
PE15A4062	High Rel	6 - 18	38	3.5	10	30	1			12 / 1,800	1.75 x 0.93 x 0.35	SMA	*2	EAR99
PE15A6012	High Rel	6 - 18	40	2	4	-20 to 20		19		13 / 300	1.85 x 1.15 x 0.42	SMA	*3	EAR99
PE15A5070	High Rel	6 - 18	40	3				40		28 / 3,000	5.9 x 3.54 x 0.98	SMA		EAR99
PE15A5050	High Rel	6 - 18	40	5		40	10		46	12 / 1,300	2.63 x 2.8 x 0.85	SMA	*2	EAR99
PE15A5049	High Rel	6 - 18	41	5		37	5.01		44	12 / 7,500	2.2 x 2 x 0.85	SMA	*2	EAR99
PE15A3020	High Rel	6 - 18	42	2	5.4	27	0.5		37	12 / 900	2.083 x 1.093 x 0.5	SMA	*3	EAR99
PE15A2002	High Rel	6 - 18				(See Log Amps Section)					3.2 x 2.05 x 0.4	SMA	*3	EAR99
PE15A2004	High Rel	6 - 18				(See Log Amps Section)					2.2 x 1.5 x 0.4	SMA	*3	EAR99
PE15A5016	High Rel	6.4 - 7.1	58	2				43		33 / 2,300	6 x 2.5 x 1.06	SMA	*2	EAR99
PE15A1033	High Rel	7 - 11	9		6	22	0.159	25	33	7 / 300	1.14 x 1.9 x 0.56	SMA	*4	EAR99
PE15A3273	High Rel	7 - 17	22		2.5	14	0.025			12 /	0.64 x 0.59 x 0.29	SMA	*4	EAR99
PE15A5019	High Rel	7.2 - 7.5	58	2				41.76		33 / 2,300	6 x 2.5 x 1.06	SMA	*2	EAR99
PE15A1027	High Rel	8 - 12	18	1	2.2	13	0.02	13		13 / 150	1.083 x 1.093 x 0.382	SMA	*3	EAR99
PE15A1026	High Rel	8 - 12	28	1	2.2	13	0.02	13		13 / 200	1.333 x 1.093 x 0.382	SMA	*3	EAR99
PE15A5051	High Rel	8 - 12	30	2		33	2		40	12 / 2,500	1.97 x 0.93 x 0.35	SMA	*2	EAR99
PE15A5053	High Rel	8 - 12	30	2.5		40	10		47	12 / 14,000	2.65 x 2 x 0.85	SMA	*2	EAR99
PE15A1003M	High Rel	8 - 12	38	1	2.2	13	0.02	13		13 / 250	2.283 x 1.093 x 0.382	SMA	*3	EAR99
PE15A1003	High Rel	8 - 12	38	1	2.2			13		13 / 250	1.58 x 1.093 x 0.382	SMA	*3	EAR99
PE15A5052	High Rel	8 - 12	40	2		37	5.01		44	12 / 6,000	2.22 x 1.7 x 0.6	SMA	*2	EAR99
PE15A4008	High Rel	8 - 12	41	1	3.5	30	1	31		12 / 1,200	2.91 x 2.36 x 0.63	SMA	*3	EAR99
PE15A5071	High Rel	8 - 12	43	2				43		28 / 5,000	6.3 x 4.7 x 0.98	SMA		EAR99
PE15A5072	High Rel	8 - 12	46	2				46		28 / 9,000	6.3 x 4.7 x 0.86	SMA		EAR99
PE15A1025	High Rel	8 - 12	48	1	2.2			13		13 / 300	2.83 x 1.093 x 0.382	SMA	*3	EAR99
PE15A4063	High Rel	8 - 12.4	30	1.75	6	27	0.5			12 / 800	1.53 x 0.93 x 0.35	SMA	*2	EAR99
PE15A5044	High Rel	8.5 - 10.5	36	1.5		38.5	7.1		47	12 / 4,000	2.36 x 2.91 x 0.63	SMA		EAR99
PE15A4006	High Rel	8.5 - 11	30	0.5	3	30	1		38	15 / 900	2.1 x 1.15 x 0.42	SMA	*3	EAR99

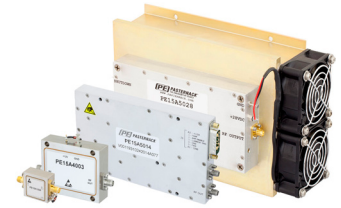
Notes: *1 = 以符合MIL-STD-810测试条件为设计目的;
*3 = 以符合MIL-STD-202测试条件为设计目的且已通过环保筛选

*2 = 以符合MIL-STD-202测试条件为设计目的;
*4 = 以符合MIL-STD-883测试条件为设计目的

高可靠性放大器

所有产品均备货在库且可当天发货

续



PE P/N	Amplifier Type	Frequency Band (GHz)	Gain (dB)	Gain Variation +/- (dB)	NF (dB)	P1dB (dBm)	P1dB (Watts)	Psat (dBm)	IP3 (dBm)	DC Power (Volts/mA)	Mechanical Dimensions L(in) X W(in) X H(in)	Connector Type	MIL Specs	ECCN
PE15A4007	High Rel	8.5 - 11	30	0.75	5	36	4		45	12 / 4,500	3.87 x 3.64 x 0.67	SMA	*3	EAR99
PE15A5043	High Rel	8.5 - 11	30	0.75	5	38.5	7.1		46	12 / 7,500	3.87 x 3.64 x 0.67	SMA	*3	EAR99
PE15A3296	High Rel	12 - 18	18		3.5	13	0.02			12 / 100	1.083 x 1.093 x 0.382	SMA	*3	EAR99
PE15A4002	High Rel	12 - 18	33	2	6	30	1		39	15 / 2,000	1.55 x 2.36 x 0.5	SMA	*3	EAR99
PE15A1004	High Rel	12 - 18	38	1	3	13	0.02	13		13 / 300	2.283 x 1.093 x 0.382	SMA	*3	EAR99
PE15A3507	High Rel	12 - 18	43	2	6	30	1		39	15 / 2,000	2.36 x 1.55 x 0.5	SMA	*3	EAR99
PE15A5021	High Rel	14.4 - 15.4	43	0.5		34.8	3.02		41	15 / 1,500	3.25 x 2.25 x 0.5	SMA	*1	EAR99
PE15A4028	High Rel	17 - 24	22			24	0.3			12 /	1.086 x 0.85 x 0.36	2.92mm	*4	EAR99
PE15A3274	High Rel	17 - 27	19		2.75	13.5	0.022			12 /	0.64 x 0.59 x 0.29	2.92mm	*4	EAR99
PE15A4064	High Rel	18 - 26.5	28	2.5	7	27	0.5			12 / 1,150	1.08 x 1.48 x 0.35	SMA	*2	EAR99
PE15A5054	High Rel	18 - 26.5	35	3		33	2		40	12 / 3,500	2.63 x 2.8 x 0.85	SMA	*2	EAR99
PE15A3268	High Rel	18 - 40	18	2	5.5	10	0.01			15 / 250	1 x 1.75 x 0.41	2.4mm	*2	3A001. B.4.C
PE15A4065	High Rel	18 - 40	35	4	9	23	0.2			12 / 1,000	1.05 x 1.48 x 0.35	2.92mm	*2	EAR99
PE15A3508	High Rel	20 - 40	30	2	5	10	0.01			/ 100	4.92 x 4.92 x 2.26	2.92mm	*2	EAR99
PE15A3509	High Rel	20 - 40	30	2	5	10	0.01			/ 220	4.92 x 4.92 x 2.26	2.92mm	*2	EAR99
PE15A3501	High Rel	20 - 40	30	2	5	10	0.01				4.92 x 4.92 x 2.26	2.92mm	*2	EAR99
PE15A3510	High Rel	20 - 40	60	3	5	10	0.01			/ 100	4.92 x 4.92 x 2.26	2.92mm	*2	EAR99
PE15A3512	High Rel	20 - 40	60	3	5	10	0.01			/ 100	4.92 x 4.92 x 2.1	SMA	*2	EAR99
PE15A3511	High Rel	20 - 40	60	3	5	10	0.01			/ 220	4.92 x 4.92 x 2.26	2.92mm	*2	EAR99
PE15A3502	High Rel	20 - 40	60	3	5	10	0.01				4.92 x 4.92 x 2.26	2.92mm	*2	EAR99
PE15A4067	High Rel	26.5 - 40	35	4	10			27		12 / 3,000	2.22 x 1.70 x 0.60	2.92mm	*2	EAR99
PE15A3275	High Rel	29 - 36	20		2.9	11	0.013			3 / 80	1.086 x 0.85 x 0.375	2.92mm	*2	3A001. B.4.C
PE15A4069	High Rel	30 - 40	20	2				20		12 / 350	0.83 x 1.48 x 0.35	2.92mm	*2	EAR99

Notes: *1 = 以符合MIL-STD-810测试条件为设计目的;
*3 = 以符合MIL-STD-202测试条件为设计目的且已通过环保筛选

*2 = 以符合MIL-STD-202测试条件为设计目的;
*4 = 以符合MIL-STD-883测试条件为设计目的

放大器配件

所有产品均备货在库且可当天发货



PE P/N	Description
PE15C5013	Heat Sink for Most RF Power Amplifier PE15A5000 Series
PE15G5000	Heat Sink for Most RF Power Amplifier PE15A5000 Series
PE15C5022	Heat Sink for Rf Power Amplifier PE15A5022
PE15C5013F	Heat Sink with 12V Fan for Most RF Power Amplifier PE15A5000 Series
PE15G5013F	Heat Sink with 12V Fan including Power and Control Cable for RF Amplifier PE15A5013, PE15A5010
PE15G5000F	Heat Sink with 12V Fan including Power and Control Cable for RF Amplifier PE15A5013, PE15A5010
PE15C5011F	Heat Sink with 24V Fan and Power and Control Cable for RF Amplifier PE15A5011, PE15A5016, PE15A5017, PE15A5019
PE15C5022F	Heat Sink with 24V Fan for RF Power Amplifier PE15A5022
PE15G5012F	Heat Sink with 24V Fan including Power and Control Cable for RF Amplifier PE15A5012, PE15A5021
PE15G5011F	Heat Sink with 24V Fan including Power and Control Cable for RF Power Amplifier PE15A5011, PE15A5016, PE15A5017, PE15A5019
PE15A5990	Heat Sink with Fan for RF Power Amplifier PE15A5024, PE15A5025 and PE15A5027
PE15G5060F	Heatsink with Integrated Cooling Fan (+24V) for Select HPA Models
PE15G5068F	Heatsink with Integrated Cooling Fan (+24V) for Select HPA Models
PE15J5011	Power and Control Cable for RF Amplifier PE15A5011, PE15A5014, PE15A5016, PE15A5017, PE15A5018, PE15A5019, PE15A5020 and PE15A5022
PE15J5015	Power and Control Cable for RF Amplifier PE15A5015, PE15A5023
PE15K5000	Power and Control Cable for RF Amplifier PE15B5000 and PE15B5001
PE15K5002	Power and Control Cable for RF Amplifier PE15B5002

波导功率放大器

所有产品均备货在库且可当天发货

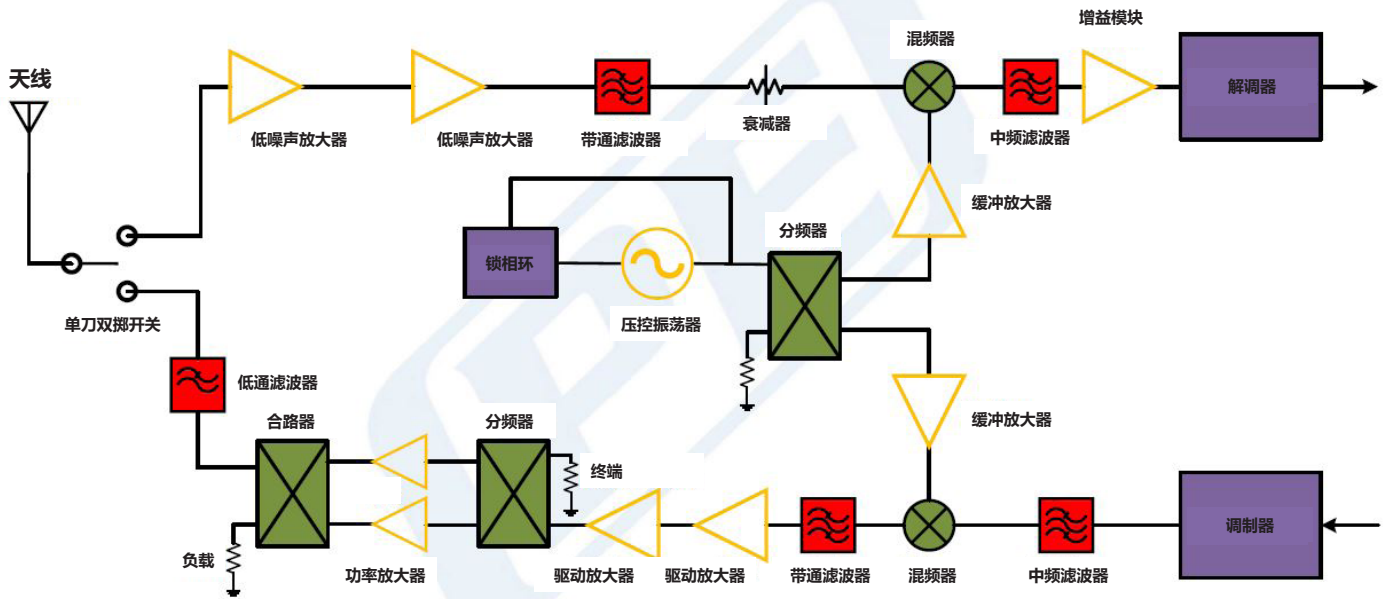


PE P/N	Waveguide Type	RF Frequency Range (GHz)	Minimum Gain (dB)	Saturated Output Power (dBm)	Flange Type	ECCN
PE15A4023	WR-12	70.5 - 76.5	25	20	Round Cover UG-387/U	EAR99
PE15A4024	WR-12	80.5 - 86.5	20	19	Round Cover UG-387/U	EAR99

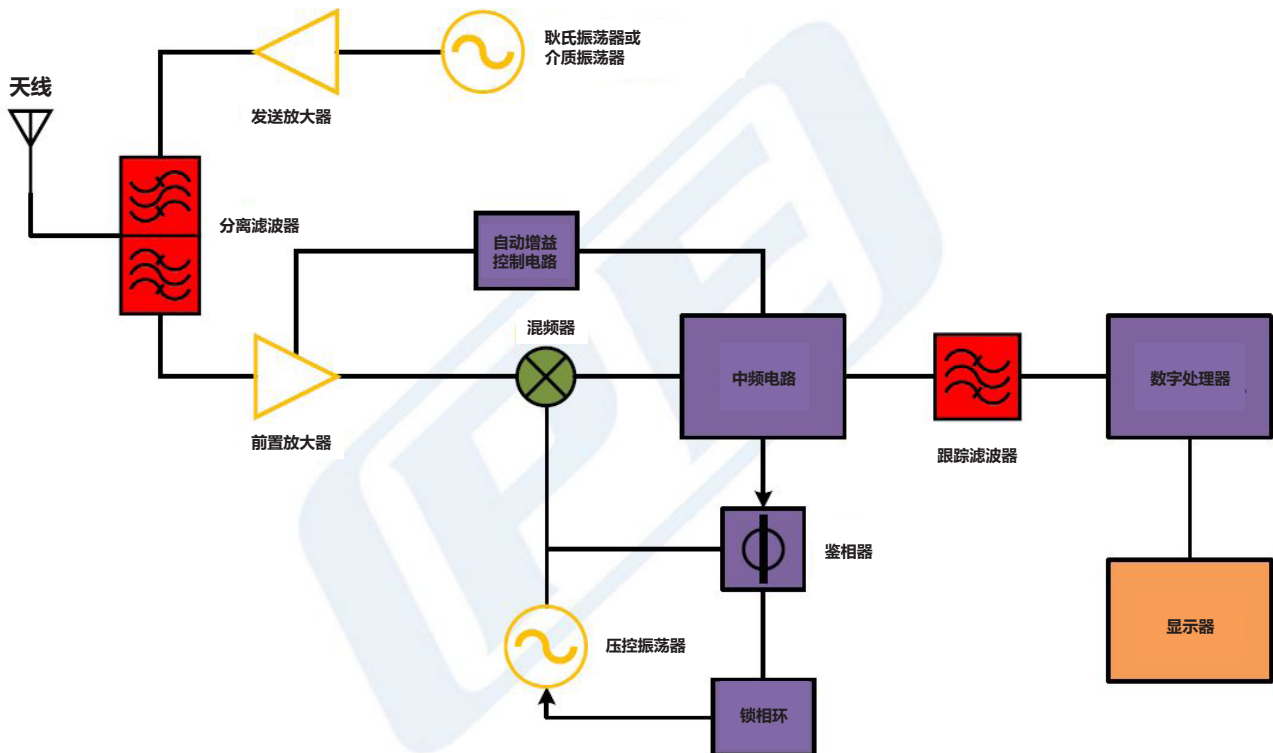
放大器上电建议事项

1. 从防静电袋中取出放大器模块之前，须确保已做好静电放电（ESD）防护措施。
2. 为了使放大器壳体能有效散热，须确保已做好散热处理措施。放大器基板工作温度必须处于放大器规格书要求的工作温度范围之内。根据设计和散热要求，当需要使用散热片时，建议始终采用带冷却风扇的散热片，以确保安全可靠运行，虽然无冷却风扇的散热片或许能用。因过热而发生的损坏不属于保修范围。
3. 确保充分有效的系统接地。为了保证正常运行，直流电源和放大器壳体必须要共地。
4. 功率放大器在上电初始时可能需要充分的直流电流。根据设计的不同，输入电流可能比放大器额定的直流电高10%~100%，这个差异取决于不同的型号规格。
5. 直流供电如果设限的话，须确保考虑到系统启动时的额外启动电流。如果电流设限过低，放大器可能不能正常启动，还可能可能导致放大器受损。
6. 确保系统设计和校准均为为50欧姆。任何的阻抗不匹配均可能导致性能异常。
7. 在将放大器连接至网络分析仪之前，带负载进行校准（如需要），以确保正常运行。
8. 在信号源和放大器输入端口之间加一个固定衰减器，来优化输入端驻波比（VSWR）。
9. 确保放大器的输入功率不能超过最大的额定输入功率上限（一般在放大器的规格书中有给出）：
小信号增益的输入功率 = $P_{1dB} - SSG - 10dB$
 P_{1dB} 的输入功率 = $P_{1dB} - SSG + 1dB$
10. 在给放大器加直流电之前，须确保网络分析仪已连接放大器。
11. 只要放大器输入和输出端口有连接50欧姆的负载且已施加了射频信号功率，便可给放大器加直流电。
12. 确保放大器输出端的负载是匹配的特性阻抗50欧姆，且不超出放大器最大额定驻波比VSWR或回波损耗上限。一旦超过会产生反射信号功率，可能损坏放大器，这种情形不属于保修范围。
13. **当功率放大器是与天线连接用于信号发射时**，强烈建议在放大器输出端口和天线的输入端口之间加高功率固定衰减器或隔离器。任何因阻抗不匹配而产生的反射信号功率都容易导致放大器的损坏，而这一情形不属于保修范围。
14. 放大器输出端增加的衰减器或者隔离器须确保能够承受放大器的输出功率和可以在放大器的工作频段。

射频收发机



雷达





您射频部件的即时来源和射频专家方案

自1972年以来，Pasternack始终致力于以即时发货服务为全球工程师提供最大的射频、微波、毫米波现货元器件、组件、设备选型库。这一业内最全的选型库覆盖超过4万种互连、无源、有源、天线及测试测量产品，包含107个品类，从常见物料到难寻器件，一应俱全。同时，我们的选型库现货率高达99.4%，一件起发，当天发货。

为了确保您能够第一时间获得最专业的技术支持，我们的产品线工程师和专家随时待命，为您解决技术难题，为您的项目提供针对性的创意解决方案。同时，Pasternack的销售和客服团队7x24小时通过电话、电子邮件以及在线沟通工具为您提供帮助。我们还拥有遍布世界各地的国际分销合作伙伴网络，无论您身在何处，都可以获得同样高品质的服务与支持。

访问Pasternack.cn，您的射频产品超级市场

所有产品备有海量库存，当天发货！

- ✓ 基于产品参数的在线搜索功能助您快速选型
- ✓ 在线查询4万余种元器件和组件的价格及库存信息
- ✓ 产品规格书包含详细参数和CAD图纸
- ✓ 同一页面结账，为您节省时间并简化购买流程
- ✓ “工程师资源中心”提供射频计算器、各种转换工具、RF-Opedia射频术语汇编以及其他丰富资源
- ✓ 在线下载《射频产品选型指南》
- ✓ 一件起发，当天发货
- ✓ 客户信用交易制度



专注射频超过45年， 荣耀超越产品本身

超过25万种定制电缆组件配置， 同样支持当天发货！

- 超过2,030种射频同轴连接器可供选择
- 包括双轴电缆在内的123种同轴电缆
- 可依据客户需求定制电缆长度（公制或英制）
- 包含高可靠性和低PIM组件



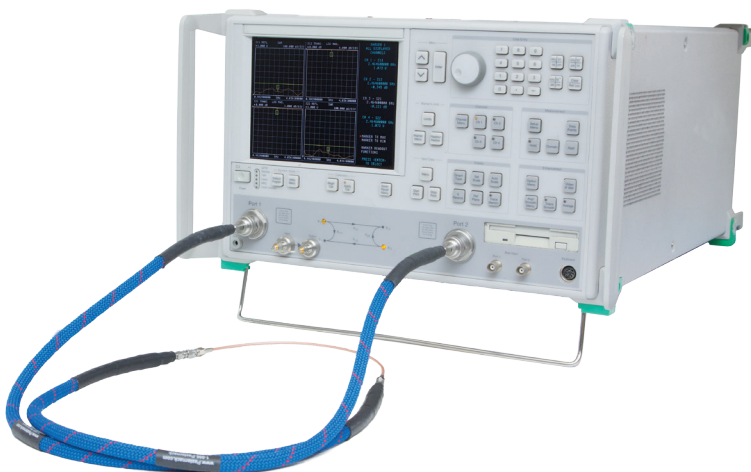
定制组件增值服务， 包括...

- 定制护套/热收缩管
- 定制标签
- 有偿提供测试图表
- 直角型连接器同步定制
- 高性能测试电缆提供序列化测试数据



全方位测试服务，包括...

- 高达65 GHz的射频测试
- 低至117 dBm (-160dBc) 的PIM测试
- $\pm 2^\circ/\text{GHz}$ 的相位匹配测试
- 高达5,000V直流及6,000V交流的耐压 (Hi-Pot) 测试



本资料所含信息的准确度基于出版时我们的最大知识范围。为了实现改善目的，其中的产品和/或产品文字描述有可能还需做出修改，Pasternack保留在必要时做出此等修改的权利。在本资料中，除非另有说明，否则所有规格参数均为标称值。对于本资料中的产品是否适用于任何特定用途，Pasternack不作任何陈述或保证。此外，对于因任何产品或产品文字描述的使用造成的任何法律责任，Pasternack一概不予承担。

最全的射频/微波种类可当天发货



+

成千上万种更多产品，今天就可提供

Pasternack美国总部

地址: 17802 Fitch

Irvine, CA 92614 USA

官网: www.pasternack.com