



**finder**<sup>®</sup>  
SWITCH TO THE FUTURE

# Electronic Relays and Actuators Multi and Single Function



Call and reset switches  
for bathrooms



Bathroom  
lighting control



Bedroom  
light control



Living room  
light control



Office lighting  
control



13  
SERIES



**13.81 - Quiet electronic step relay - Rail mount - 1 Pole**

**13.91 - Quiet electronic step relay and timing step relay Switch box mount - 1 Pole**

- Fixed time (10 minutes) timing function selectable (13.91)
- Use with 3 or 4 wire connection, with automatic recognition by the relay
- Control input can be continuously applied
- Longer mechanical and electrical life, and much quieter than electromechanical step relays
- "Zero crossing" load switching
- Can be mounted behind blanking plates, as widely used in residential wiring systems such as; BTicino: Axolute, Matix, Living and Magic, Gewiss: GW24, Vimar: Plana and Idea ... (13.91)
- 35 mm rail (EN 60715) mount (13.81)
- Cadmium free contact material

13.81/91  
Screw terminals



For outline drawing see page 16

**Contact specification**

|   |           |                    |                    |
|---|-----------|--------------------|--------------------|
| Contact configuration                               |           | 1 NO (SPST-NO)     | 1 NO (SPST-NO)     |
| Rated current/Maximum peak current                  | A         | 16/30 (120 - 5 ms) | 10/20 (80 - 5 ms)  |
| Rated voltage/<br>Maximum switching voltage         | V AC      | 230/—              | 230/—              |
| Rated load AC1                                      | VA        | 3700               | 2300               |
| Rated load AC15 (230 V AC)                          | VA        | 750                | 450                |
| Nominal lamp rating:                                |           |                    |                    |
| 230 V incandescent/halogen W                        |           | 3000               | 1000               |
| fluorescent tubes with<br>electronic ballast W      |           | 1500               | 500                |
| fluorescent tubes with<br>electromagnetic ballast W |           | 1000               | 350                |
| CFL W   |           | 600                | 300                |
| 230 V LED W   |           | 600                | 300                |
| LV halogen or LED with<br>electronic ballast W      |           | 600                | 300                |
| LV halogen or LED with<br>electromagnetic ballast W |           | 1500               | 500                |
| Minimum switching load                              | mW (V/mA) | 1000 (10/10)       | 1000 (10/10)       |
| Standard contact material                           |           | AgSnO <sub>2</sub> | AgSnO <sub>2</sub> |

**Supply specification**

|                                   |                 |                           |                           |
|-----------------------------------|-----------------|---------------------------|---------------------------|
| Nominal voltage (U <sub>N</sub> ) | V AC (50/60 Hz) | 230                       | 230                       |
|                                   | V DC            | —                         | —                         |
| Rated power                       | V A (50 Hz)/W   | 3/1.2                     | 2/1                       |
| Operating range                   | AC (50 Hz)      | (0.8...1.1)U <sub>N</sub> | (0.8...1.1)U <sub>N</sub> |
|                                   | DC              | —                         | —                         |

**Technical data**

|                                      |        |                       |                       |
|--------------------------------------|--------|-----------------------|-----------------------|
| Electrical life at rated load in AC1 | cycles | 100 · 10 <sup>3</sup> | 100 · 10 <sup>3</sup> |
| Maximum impulse duration             |        | continuous            | continuous            |
| Dielectric strength between:         |        |                       |                       |
| open contacts V AC                   |        | 1000                  | 1000                  |
| supply - contacts V AC               |        | —                     | —                     |
| Ambient temperature range            | °C     | -10...+60             | -10...+50             |
| Protection category                  |        | IP 20                 | IP 20                 |

**Approvals** (according to type)



**13.81**



- 1 NO (SPST-NO)
- 35 mm rail (EN 60715) mount
- 17.5 mm wide

**13.91**



- 1 NO (SPST-NO)
- Step relay and timing step relay (10 minutes)
- For mounting within residential switch boxes

**13.01 - Electronic step/monostable relay  
Rail mount - 1 Pole**
**13.61 - Multifunction step/monostable relay  
with reset command - Rail mount 1 Pole**

- Selectable Step or Monostable operation (13.01)
- Multifunction (Step, Timing step, Monostable, Light ON) (13.61)
- Reset feature, for centralized off command (13.61)
- Set feature, for centralized on command (13.61.0.024)
- Control input can be continuously applied
- Longer mechanical and electrical life, and much quieter than electromechanical step relays
- 12...24 V AC/DC and 110...240 V AC supply versions (13.61)
- Suitable for SELV applications and available also for supply 12 and 24 V AC/DC (13.01)
- "Zero-crossing" load switching (13.61)
- 35 mm rail (EN 60715) mount
- Cadmium free contact material

13.01/61

Screw terminals



For outline drawing see page 16

**Contact specification**

| Contact configuration                               |           | 1 CO (SPDT)          | 1 CO (SPDT)          | 1 NO (SPST-NO)       |
|---|-----------|----------------------|----------------------|----------------------|
| Rated current/Maximum peak current                  | A         | 16/30 (120 A - 5 ms) | 16/30 (120 A - 5 ms) | 16/30 (120 A - 5 ms) |
| Rated voltage/<br>Maximum switching voltage         | V AC      | 250/400              | 250/400              | 250/400              |
| Rated load AC1                                      | VA        | 4000                 | 4000                 | 4000                 |
| Rated load AC15 (230 V AC)                          | VA        | 750                  | 750                  | 750                  |
| Nominal lamp rating:                                |           |                      |                      |                      |
| 230 V incandescent/halogen W                        |           | 2000                 | 2000                 | 3000                 |
| fluorescent tubes with<br>electronic ballast W      |           | 1000                 | 1000                 | 1500                 |
| fluorescent tubes with<br>electromagnetic ballast W |           | 750                  | 750                  | 1000                 |
| CFL W   |           | 400                  | 400                  | 600                  |
| 230 V LED W   |           | 400                  | 400                  | 600                  |
| LV halogen or LED with<br>electronic ballast W      |           | 400                  | 400                  | 600                  |
| LV halogen or LED with<br>electromagnetic ballast W |           | 800                  | 800                  | 1500                 |
| Minimum switching load                              | mW (V/mA) | 1000 (10/10)         | 1000 (10/10)         | 1000 (10/10)         |
| Standard contact material                           |           | AgSnO <sub>2</sub>   | AgSnO <sub>2</sub>   | AgSnO <sub>2</sub>   |

**K Supply specification**

|                                   |                    |             |             |             |           |
|-----------------------------------|--------------------|-------------|-------------|-------------|-----------|
| Nominal voltage (U <sub>N</sub> ) | V AC (50/60 Hz)    | 110...125   | 230...240   | —           | 110...240 |
|                                   | V DC/AC (50/60 Hz) | 12          | 24          | 12...24     | —         |
| Rated power AC/DC                 | V A (50/60 Hz)/W   | 2.5/2.5     |             | 1/0.5       | 3.2/1     |
| Operating range                   | V AC (50 Hz)       | 90...130    | 184...253   | —           | 90...264  |
|                                   | V DC/AC (50 Hz)    | 10.8...13.2 | 20.6...33.6 | 10.2...26.4 | —         |

**Technical data**

|                                      |                        |                       |                       |                       |
|--------------------------------------|------------------------|-----------------------|-----------------------|-----------------------|
| Electrical life at rated load in AC1 | cycles                 | 100 · 10 <sup>3</sup> | 100 · 10 <sup>3</sup> | 100 · 10 <sup>3</sup> |
| Maximum impulse duration             |                        | continuous            | continuous            | continuous            |
| Dielectric strength between:         | open contacts V AC     | 1000                  | 1000                  | 1000                  |
|                                      | supply - contacts V AC | 4000                  | 2000                  | 2000                  |
| Ambient temperature range            | °C                     | -10...+60             | -10...+60             | -10...+60             |
| Protection category                  |                        | IP 20                 | IP 20                 | IP 20                 |

**Approvals** (according to type)

**13.01**


- 1 CO (SPDT)
- Step or monostable relay
- 35 mm rail (EN 60715) mount
- 35 mm wide

**13.61.0.024.0000**


- 1 CO (SPDT)
- Reset feature, for centralized off command
- Set feature, for centralized on command
- Multifunction:
  - step relay
  - timing step relay (30s...20min)
  - monostable relay
  - light on
- 35 mm rail (EN 60715) mount
- 17.5 mm wide

**13.61.8.230.0000**


- 1 NO (SPST-NO)
- Reset feature, for centralized off command
- Multifunction:
  - step relay
  - timing step relay (30s...20min)
  - monostable relay
  - light on
- 35 mm rail (EN 60715) mount
- 17.5 mm wide

### 13.11 - Call & Reset Relay - Rail mount - 1 Pole

### 13.12 - Call & Reset Relay - Rail mount - 2 Pole

### 13.31 - Electromechanical monostable relay Switch box mount - 1 Pole

- Call relay with reset command suitable for residential and commercial applications: public bathroom, hospital, hotel (type 13.11/13.12)
- Can be mounted behind blanking plates, as widely used in residential wiring systems such as; BTicino: Axolute, Matix, Living e Magic, Gewiss: GW24, Vimar: Plana e Idea ... (13.31)
- 35 mm rail (EN 60715) or flange mount (13.11 and 13.12)
- Cadmium free contact material (13.31)

13.11/12/31  
Screw terminals



\* During impulse only.  
For outline drawing see page 16

#### Contact specification

|   | 13.11                                | 13.12                        | 13.31                     |
|---|--------------------------------------|------------------------------|---------------------------|
| Contact configuration                               | 1 CO (SPDT)                          | 1 CO (SPDT) + 1 NO (SPST-NO) | 1 NO (SPST-NO)            |
| Rated current/Maximum peak current                  | A 12/30                              | 8/15                         | 12/20 (80 A - 5 ms)       |
| Rated voltage/<br>Maximum switching voltage         | V AC 250/400                         | 250/400                      | 250/400                   |
| Rated load AC1                                      | VA 3000                              | 2000                         | 3000                      |
| Rated load AC15 (230 V AC)                          | VA 750                               | 400                          | 450                       |
| Nominal lamp rating:                                |                                      |                              |                           |
| 230 V incandescent/halogen W                        | 1200                                 | 800                          | 800                       |
| fluorescent tubes with<br>electronic ballast W      | 500                                  | 300                          | 400                       |
| fluorescent tubes with<br>electromagnetic ballast W | 400                                  | 250                          | 300                       |
| CFL W   | 300                                  | 150                          | 200                       |
| 230 V LED W   | 300                                  | 150                          | 200                       |
| LV halogen or LED with<br>electronic ballast W      | 300                                  | 150                          | 200                       |
| LV halogen or LED with<br>electromagnetic ballast W | 500                                  | 300                          | 400                       |
| Minimum switching load                              | mW (V/mA) 500 (5/5)                  | 300 (5/5)                    | 1000 (10/10)              |
| Standard contact material                           | AgCdO                                | AgCdO                        | AgSnO <sub>2</sub>        |
| <b>Supply specification</b>                         |                                      |                              |                           |
| Nominal voltage (U <sub>N</sub> )                   | V AC (50/60 Hz) 230...240            | 12 - 24                      | 12 - 230                  |
|   | V DC —                               | 12 - 24                      | 24                        |
| Rated power AC/DC                                   | V A (50 Hz)/W 1.7/0.7*               | 3/2.5*                       | 1/0.4                     |
| Operating range                                     | AC (50 Hz) (0.8...1.1)U <sub>N</sub> | (0.8...1.1)U <sub>N</sub>    | (0.8...1.1)U <sub>N</sub> |
|   | DC —                                 | (0.8...1.1)U <sub>N</sub>    | (0.8...1.1)U <sub>N</sub> |
| <b>Technical data</b>                               |                                      |                              |                           |
| Electrical life at rated load in AC1                | cycles 100 · 10 <sup>3</sup>         | 100 · 10 <sup>3</sup>        | 70 · 10 <sup>3</sup>      |
| Maximum impulse duration                            | 10 s (100 ms minimum)                | 10 s (100 ms minimum)        | continuous                |
| Dielectric strength between:                        | open contacts V AC                   | 1000                         | 1000                      |
|   | supply - contacts V AC               | 2000                         | 2000                      |
| Ambient temperature range                           | °C -10...+60                         | -10...+60                    | -10...+60                 |
| Protection category                                 | IP 20                                | IP 20                        | IP 20                     |

**Approvals** (according to type)



**Multi and Single function electronic relays with Bluetooth**

**13.22 - Electronic multifunction relay  
2 Pole**

- Round wall box (ie: Ø 60 mm) mounting
- 21 available functions (step relays, timer, staircase timer) for lighting and fan motor control

**13.72 - Electronic multifunction relay  
2 Pole**

- Wall mounting, compatible with most popular Italian residential switch boxes: AVE, BTicino, Gewiss, Simon-Urmet, Vimar
- 21 available functions: step relays, timing (1s - 24h), electric shutter, blind or curtain control

**13.S2 - Electronic roller shutter actuator**

- Round wall box (ie: Ø 60 mm) mounting
- For electric shutter, blind or curtain control
- 2 contacts NO 6 A - 230 V AC independent and programmable channels
- 2 inputs for wired pushbuttons (one input per channel)
- Transmission range: approximately 10 m in free space and without obstacles

13.22/S2/72  
Screw terminals



For outline drawing see page 17

**Contact specification**

|  |      |                |                |                |
|--|------|----------------|----------------|----------------|
| Contact configuration                            |      | 2 NO (DPST-NO) | 2 NO (DPST-NO) | 2 NO (DPST-NO) |
| Rated current/Maximum peak current               | A    | 6/40           | 6/40           | 6/40           |
| Rated voltage/Maximum switching voltage          | V AC | 230/—          | 230/—          | 230/—          |
| Rated load AC1                                   | VA   | 1380           | 1380           | 1380           |
| Rated load AC15 (230 V AC)                       | VA   | 300            | 300            | 300            |
| Single phase motor rating (230 V AC)             | W    | 200            | 200            | 200            |
| Nominal lamp rating 230V:                        |      |                |                |                |
| incandescent/halogen W                           |      | 200            | 200            | —              |
| fluorescent tubes with electronic ballast W      |      | 200            | 200            | —              |
| fluorescent tubes with electromagnetic ballast W |      | 200            | 200            | —              |
| CFL W  |      | 200            | 200            | —              |
| LED 230 V W                                      |      | 200            | 200            | —              |
| LV halogen or LED with electronic ballast W      |      | 200            | 200            | —              |
| LV halogen or LED with electromagnetic ballast W |      | 200            | 200            | —              |

**Supply specification**

|                                   |                 |                           |                           |                           |
|-----------------------------------|-----------------|---------------------------|---------------------------|---------------------------|
| Nominal voltage (U <sub>N</sub> ) | V AC (50/60 Hz) | 230                       | 230                       | 230                       |
|                                   | V DC            | —                         | —                         | —                         |
| Rated power AC/DC                 | VA (50 Hz)/W    | 2 / 0.5                   | 2 / 0.5                   | 2 / 0.5                   |
| Operating range                   | AC (50 Hz)      | (0.8...1.1)U <sub>N</sub> | (0.8...1.1)U <sub>N</sub> | (0.8...1.1)U <sub>N</sub> |
|                                   | DC              | —                         | —                         | —                         |

**Technical data**

|  |        |                      |                      |                      |
|--|--------|----------------------|----------------------|----------------------|
| Electrical life at rated load in AC1       | cycles | 60 · 10 <sup>3</sup> | 60 · 10 <sup>3</sup> | 60 · 10 <sup>3</sup> |
| Maximum impulse duration                   |        | continuous           | continuous           | continuous           |
| Dielectric strength between: open contacts | V AC   | 1000                 | 1000                 | 1000                 |
| Ambient temperature range                  | °C     | -10...+50            | -10...+50            | -10...+50            |
| Protection category                        |        | IP 20                | IP 20                | IP 20                |

**Approvals (according to type)**



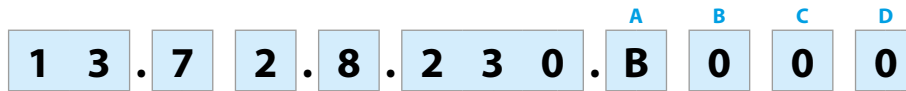
- Offering a variety of ON/OFF functions associated with lighting and fan motor control
- Transmission protocol Bluetooth 4.2 Low Energy
- Safe connection with 128-bit encryption
- App programming with iOS or Android Smartphone: Finder TOOLBOX
- Can be managed through standard pushbuttons, BEYON and Type 013.B9 wireless buttons

- Offering a variety of ON/OFF functions associated with lighting, electric shutters, blinds or curtains
- Transmission protocol Bluetooth 4.2 Low Energy
- Safe connection with 128-bit encryption
- App programming with iOS or Android Smartphone: Finder TOOLBOX
- Can be managed through standard pushbuttons, BEYON and Type 013.B9 wireless buttons

- Suitable for electric shutters, blind or curtain control
- Transmission protocol Bluetooth 4.2 Low Energy
- Safe connection with 128-bit encryption
- App programming with iOS or Android Smartphone: Finder TOOLBOX
- Can be managed through standard pushbuttons, BEYON and Type 013.B9 wireless buttons

## Ordering information

Example: Multifunction relay with YESLY Bluetooth, 2 contacts 6 A NO (SPST-NO), 230 V AC supply.



**Series**

**Type**

- 0 = Step/Monostable, 35 mm rail (EN 60715) mount, 35 mm wide
- 1 = Call & Reset relay, 35 mm rail (EN 60715) mount, 17.5 mm wide
- 2 = YESLY - multifunction relay, wall box mounting
- 3 = Monostable relay, switch box mounting
- 6 = Multifunction relay, 35 mm rail (EN 60715) mount, 17.5 mm wide
- 7 = YESLY - Multifunction relay compatible with the most popular Italian wall switch systems: AVE, BTicino, Gewiss, Simon-Urmet, Vimar
- 8 = Modular step relay, 35 mm rail (EN 60715) mount, 17.5 mm wide
- 9 = Step relay and timing step relay, switch box mounting
- S = YESLY - Shutter/blind/curtain actuator, wall box mounting

**No. of poles**

- 1 = 1 pole
- 2 = 2 poles 6 A NO (SPST-NO) (type 13.72 and 13.22/S2)
- 2 = 1 pole CO (SPDT) + 1 NO (SPST-NO)

**Supply version**

- 0 = AC (50/60 Hz)/DC
- 8 = AC (50/60 Hz)
- 9 = DC

**Supply voltage**

- 012 = 12 V AC/DC (13.01 and 13.12 only)
- 012 = 12 V AC (13.31 only)
- 024 = 24 V AC/DC (13.01 and 13.12 only)
- 024 = 24 V DC (13.31 only)
- 024 = 12...24 V AC/DC (13.61 only)
- 125 = (110...125)V AC (13.01 only)
- 230 = (230...240)V AC (13.01 and 13.11)
- 230 = 110...240 V AC (13.61 only)
- 230 = 230 V AC (13.31, 13.22, 13.52, 13.72, 13.81 and 13.91)

**A: Transmission protocol**  
(only for Type 13.22/S2/72)  
B = Bluetooth 4.2 Low Energy

**A: Contacts material**

- 0 = Standard
- 4 = Standard AgSnO<sub>2</sub> (only for 13.31)

**B: Contact circuit**

- 0 = Standard
- 3 = Standard NO (only for 13.31)

**Codes / Supply voltage**

- 13.01.0.012.0000 12 V AC/DC
- 13.01.0.024.0000 24 V AC/DC
- 13.01.8.125.0000 110...125 V AC
- 13.01.8.230.0000 230...240 V AC
- 13.11.8.230.0000 230...240 V AC
- 13.12.0.012.0000 12 V AC/DC
- 13.12.0.024.0000 24 V AC/DC
- 13.22.8.230.0000 230 V AC YESLY
- 13.52.8.230.0000 230 V AC YESLY
- 13.31.8.012.4300 12 V AC
- 13.31.9.024.4300 24 V DC
- 13.31.8.230.4300 230 V AC
- 13.61.8.230.0000 110...240 V AC
- 13.61.0.024.0000 12...24 V AC/DC
- 13.72.8.230.0000 YESLY BLE white
- 13.72.8.230.0002 YESLY BLE anthracite gray
- 13.81.8.230.0000 230 V AC
- 13.91.8.230.0000 230 V AC

0 = Type 13.72 white  
2 = Type 13.72 anthracite gray

## Technical data

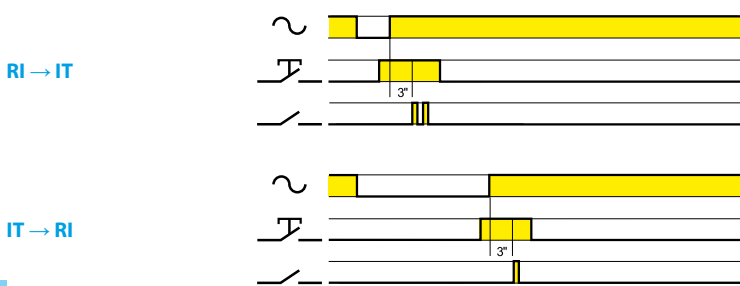
| Insulation                                 | 13.01.8         | 13.01.0         | 13.11 - 13.12   | 13.31 - 13.61   | 13.81 - 13.91   |             |                |       |                         |
|--|-----------------|-----------------|-----------------|---|-----------------|-------------|----------------|-------|-------------------------|
| <b>Dielectric strength</b>                 |                 |                 |                 |   |                 |             |                |       |                         |
| between control circuit and supply         | V AC            | 4000            | —               | —   | —               | —           | —              |       |                         |
| between control circuit and contacts       | V AC            | 4000            | 4000            | —   | —               | —           | —              |       |                         |
| between R-S-A2 and contacts                | V AC            | —               | —               | 2000  | —               | —           | —              |       |                         |
| between supply and contacts                | V AC            | 4000            | 4000            | —   | 2000            | —           | —              |       |                         |
| between open contacts                      | V AC            | 1000            | 1000            | 1000  | 1000            | 1000        | 1000           |       |                         |
| <b>Other data</b>                          |                 |                 |                 |   |                 |             |                |       |                         |
|  |                 | 13.01           |                 | 13.11 - 13.12   | 13.31           | 13.61       | 13.81          | 13.91 | 13.22<br>13.52<br>13.72 |
| <b>Power lost to the environment</b>       |                 |                 |                 |   |                 |             |                |       |                         |
| without contact current                    | W               | 2.2             | —               | 0.4   | 1               | 1.2         | 0.7            | 0.5   |                         |
| with rated current                         | W               | 3.5             | 1.5             | 1.6   | 1.8             | 2           | 1.8            | 1.5   |                         |
| Max cable length for pushbutton connection | m               | 100             | 100             | —   | 200             | 200         | 100            | 100   |                         |
| Max. no. of illuminated pushbutton         | (≤1mA)          | —               | —               | —   | 10*             | 15          | 12             | 5     |                         |
| <b>Terminals</b>                           |                 |                 |                 |   |                 |             |                |       |                         |
|  |                 | 13.01           |                 | 13.11 - 13.12 - 13.31 - 13.61 - 13.72 - 13.81 - 13.91 |                 |             | 13.22 - 13.52  |       |                         |
| Max. wire size                             |                 | solid cable     | stranded cable  | solid cable   | stranded cable  | solid cable | stranded cable |       |                         |
|  | mm <sup>2</sup> | 1 x 6 / 2 x 4   | 1 x 6 / 2 x 2.5 | 1 x 6 / 2 x 4   | 1 x 4 / 2 x 2.5 | 2 x 1.5     | 2 x 1          |       |                         |
|  | AWG             | 1 x 10 / 2 x 12 | 1 x 10 / 2 x 14 | 1 x 10 / 2 x 12                                       | 1 x 12 / 2 x 14 | 2 x 16      | 2 x 16         |       |                         |
| Screw torque                               | Nm              | 0.8             |                 | 0.8   |                 |             |                |       |                         |

\* For 8.230 version.

Functions for types 13.01, 13.11, 13.12, 13.81, 13.91

| Type           | Functions |   |
|----------------|-----------|---|
| 13.01          |           | <p><b>Monostable</b><br/>On closure of a switch between terminals (B2-B3) the output contact will close, and remain so, until the switch opens.</p>   |
|                |           | <p><b>Step relay (bistable)</b><br/>After every impulse (B1-B2), the output contact changes state - alternately switching from open to closed and vice versa.</p>   |
| 13.11<br>13.12 |           | <p><b>Call and Reset relay</b><br/>On momentary closure of the Set switch (S), the output contact closes. Only a momentary closure of the Reset switch (R) will open the output contact.</p>  |
| 13.81          |           | <p><b>(RI) Step relay</b><br/>After every impulse, the output contact changes state - alternately switching from open to closed and vice versa.</p>   |
| 13.91          |           | <p><b>(RI) Step relay</b><br/>After every impulse, the output contact changes state - alternately switching from open to closed and vice versa.</p>   |
|                |           | <p><b>(IT) Timing step relay</b><br/>On initial impulse the output contact closes and timing starts for the pre-set duration (fixed 10 min); On expiry of the time delay, the output contact opens. During the timing period it is possible to immediately open the contact with a further impulse.</p> |

Operating mode setup for type 13.91



- Remove the supply voltage
- Press the control button
- Apply the supply to the relay, keeping the button closed. After 3 second, the light will flash twice to indicate the selection of the "IT" function, or flash once for "RI" function.

Functions for type 13.61

| Type        | Functions   |
|-------------|---|
| 13.61.8.230 | <p><b>(RM) Monostable</b><br/>On closure of a switch between terminal 3 and Line (or Neutral, in case of 3-wire connection) the output contact will close, and remain so, until the switch opens.</p>   |
|             | <p><b>(IT) Timing step relay</b><br/>On initial impulse the output contact closes and timing starts for the pre-set duration T; On expiry of the time delay, the output contact opens.<br/>During the timing period it is possible to immediately open the contact with a further impulse.<br/>Switch-off delay time: 30s...20min</p> |
|             | <p><b>(RI) Step relay</b><br/>After every impulse, the output contact changes state - alternately switching from open to closed and vice versa.</p>   |
|             | <p><b>Light ON</b><br/>With this function set - the output contact stays permanently closed.</p>  |
| 13.61.0.024 | <p><b>(RM) Monostable</b><br/>On closure of a switch between terminal 3 and Line (or Neutral, in case of 3-wire connection) the output contact will close, and remain so, until the switch opens.</p>   |
|             | <p><b>(IT) Timing step relay</b><br/>On initial impulse the output contact closes and timing starts for the pre-set duration T; On expiry of the time delay, the output contact opens.<br/>During the timing period it is possible to immediately open the contact with a further impulse.<br/>Switch-off delay time: 30s...20min</p> |
|             | <p><b>(RI) Step relay</b><br/>After every impulse, the output contact changes state - alternately switching from open to closed and vice versa.</p>   |
|             | <p><b>Light ON</b><br/>With this function set - the output contact stays permanently closed.</p>  |

## Functions for type 13.22, 13.S2, 13.72

### Relay settings

Multifunction electronic relays can be configured with the Finder TOOLBOX App, available for iOS or Android systems. This product is ready-to-use preset with the factory setting (RI) Step relay on both channels.

| Type           | Functions  |
|----------------|--|
| 13.22<br>13.72 | <p><b>(RM) Monostable relay.</b><br/>On closure of the switch the output will close, and remain so, until the switch opens.</p>  |
|                | <p><b>(RI) Step relay.</b><br/>After every impulse, the output contact changes state - alternately switching from open to closed and vice versa.</p>   |
|                | <p><b>(LE) Asymmetric flasher (starting pulse on) with control signal.</b><br/>Power is permanently applied to the relay. Closing Signal Switch (S) causes the output contacts to transfer immediately and cycle between ON (T1) and OFF (T2), until opened.</p>   |
|                | <p><b>(DE) Interval with control signal on.</b><br/>Power is permanently applied to the relay. On momentary or maintained closure of Signal Switch (S), the output contacts transfer, and remain so for the duration of the preset delay, after which they reset.</p>  |
|                | <p><b>(BE) Staircase timer.</b><br/>On initial impulse the output contact closes and timing starts for the pre-set duration; subsequent impulses during the timing period will extend the timing period by the full pre-set value. On expiry of the time delay, the output contact opens.</p>  |
|                | <p><b>(ME) Staircase timer + Staircase maintenance.</b><br/>In addition to the Staircase timer function (BE), an impulse of <math>\geq 5</math> seconds will close the output contact for 60 minutes, after which time the contact will open. Ideal for maintenance or cleaning activities. The 60 minute timing can be interrupted by a further impulse of <math>\geq 5</math> seconds, when the output contact then opens.</p>   |
|                | <p><b>(BP) Staircase timer with switch off early warning.</b><br/>On initial impulse the output contact closes and the timing starts for the pre-set duration. After the timing period, the output contact blinks off once; 10 seconds later the contact blinks off twice, and after a further 10 seconds the contact opens. During the pre-set and 20 second warning time, it is possible, by a further impulse, to extend the time by the full pre-set value.</p>  |
|                | <p><b>(MP) Staircase timer with switch off early warning + staircase maintenance.</b><br/>In addition to the Staircase timer function (BP), an impulse of <math>\geq 5</math> seconds will close the output contact for 60 minutes, after which time the output contact blinks off once; 10 seconds later the contact blinks off twice, and after a further 10 seconds the contact will open. Ideal for maintenance or cleaning activities. The 60 minute timing can be interrupted by a further impulse of <math>\geq 5</math> seconds, when the output contact then opens.</p> |

### Functions for type 13.22, 13.S2, 13.72

| Type           | Functions |  |
|----------------|-----------|--|
| 13.22<br>13.72 |           | <b>(IT) Timing step relay.</b><br>On initial impulse the output contact closes and timing starts. On expiry of the time delay, the output contact opens. During the timing period it is possible to immediately open the contact with a further impulse.   |
|                |           | <b>(IP) Timing step relay with switch off early warning.</b><br>On initial impulse the output contact closes and timing starts. After the timing period, the output contact blinks off once; 10 seconds later the contact blinks off twice, and after a further 10 seconds the contact opens. During the pre-set and 20 second warning time, it is possible to immediately open the output contact by a further impulse. |
|                |           | <b>(FZ) Timing monostable.</b><br>The output will be closed when the switch is closed, except where the switch is closed for greater than the preset time T1 - in which case the output contact opens.   |
|                |           | <b>(VB) Bathroom light + fan.</b><br>Channels Ch1 and Ch2 both close when the P1 command is pressed. At the expiry of T1 Ch1 opens and after a further delay of T2, Ch2 opens. Ch1 can be prematurely opened by another press of P1.   |
|                |           | <b>(CP) Ringbell + light.</b><br>A press to P1 closes Ch1 for the pre-set time T1. While Ch1 is closed Ch2 executes a blinking function, at a rate set by T2. Subsequent presses to P1 extends the Ch1 closed time by re-triggering T1.  |
| 13.S2<br>13.72 |           | <b>(TP) Roller shutter.</b><br>A short press (<1 second) to P1 ("up" push-button) initiates a 500ms delay before Ch1 closes for time T1. Pressing P1 again within time period T1 will immediately open Ch1 contact. If P1 is closed for more than 1 second the Ch1 contact will open immediately P1 opens. The same operation applies to P2 and Ch2 contact, used to control the "down" function.                        |

### Sequences

**P1 (SET):** press to advance through the sequence

**P2 (RESET):** press to return to Step 1

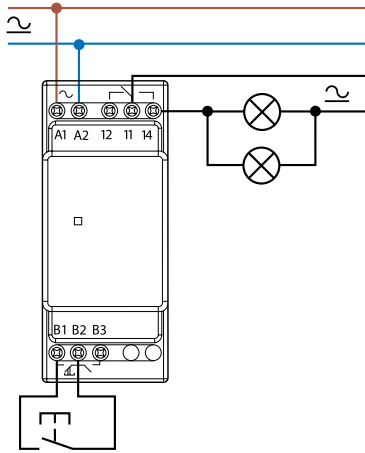
| Type           | Functions | Sequences |   |   |   |
|----------------|-----------|-----------|---|---|---|
|                |           | 1         | 2 | 3 | 4 |
| 13.22<br>13.72 | <b>02</b> |           |   |   |   |
|                | <b>03</b> |           |   |   |   |
|                | <b>04</b> |           |   |   |   |
|                | <b>05</b> |           |   |   |   |
|                | <b>06</b> |           |   |   |   |
|                | <b>07</b> |           |   |   |   |
|                | <b>08</b> |           |   |   |   |

Wiring diagrams (13.01, 13.11, 13.12 and 13.31)

**Type 13.01**

Step wiring diagram

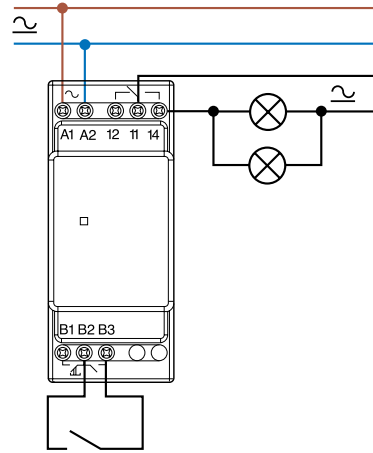
Red LED indication:  
Continuous = relay ON



**Type 13.01**

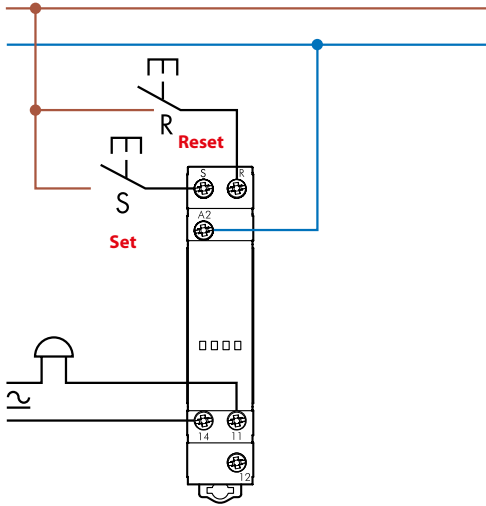
Monostable wiring diagram

Red LED indication:  
Continuous = relay ON



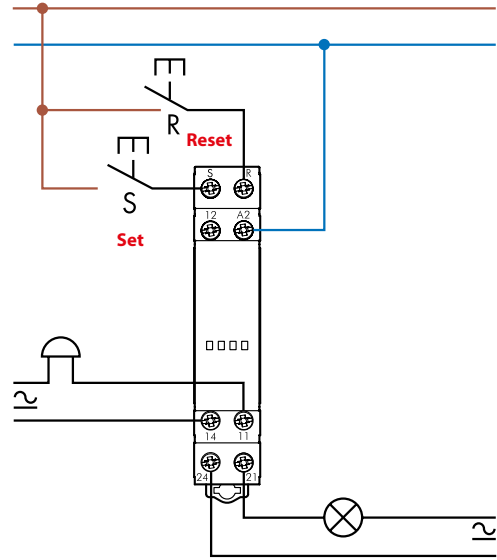
**Type 13.11**

Call & reset relay



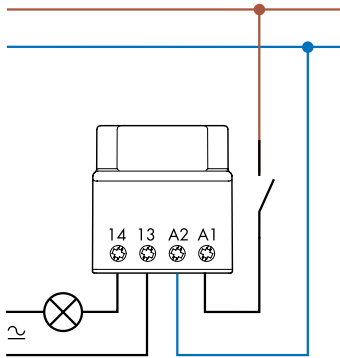
**Type 13.12**

Call & reset relay



**Type 13.31**

Connection

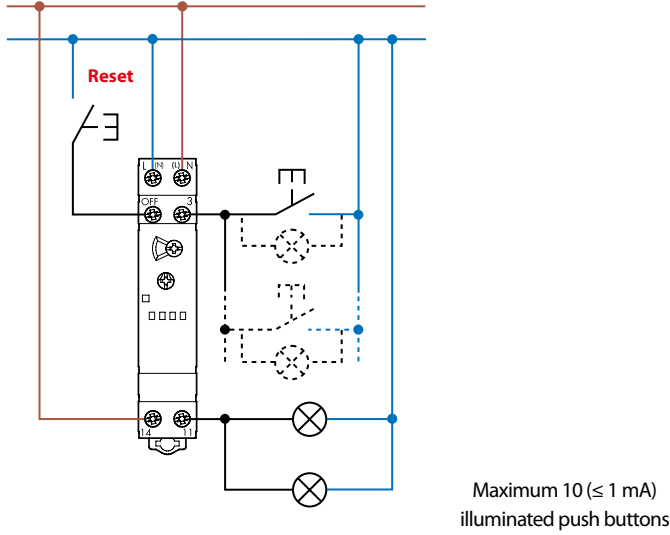


K

Wiring diagrams (13.61)

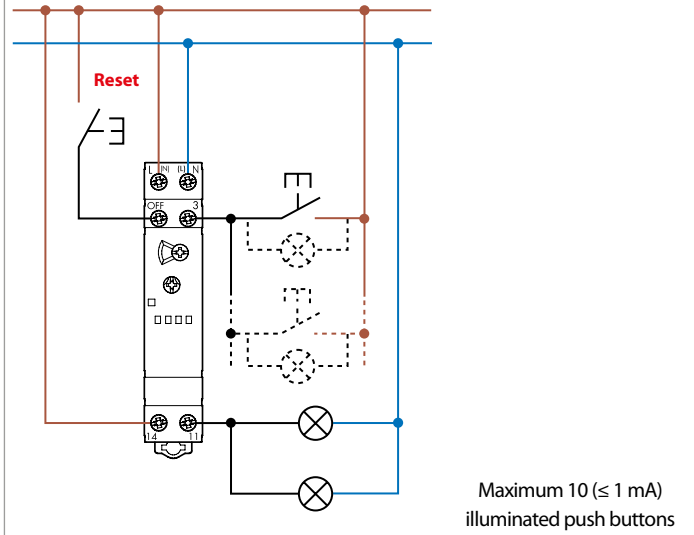
**Type 13.61.8.230**

3 wire connection  
Red LED indication:  
Continuous = relay ON  
Blinking = relay OFF



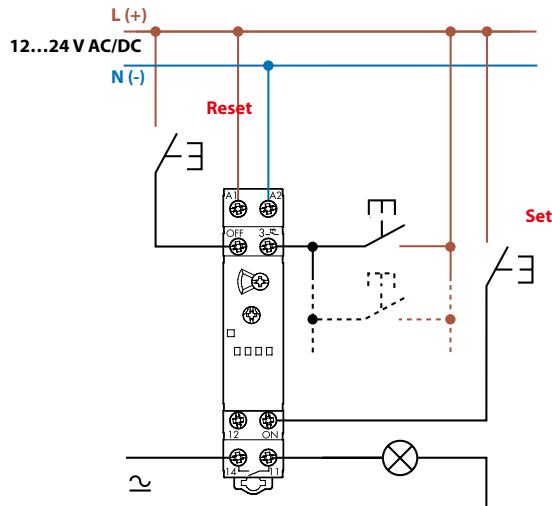
**Type 13.61.8.230**

4 wire connection  
Red LED indication:  
Continuous = relay ON  
Blinking = relay OFF

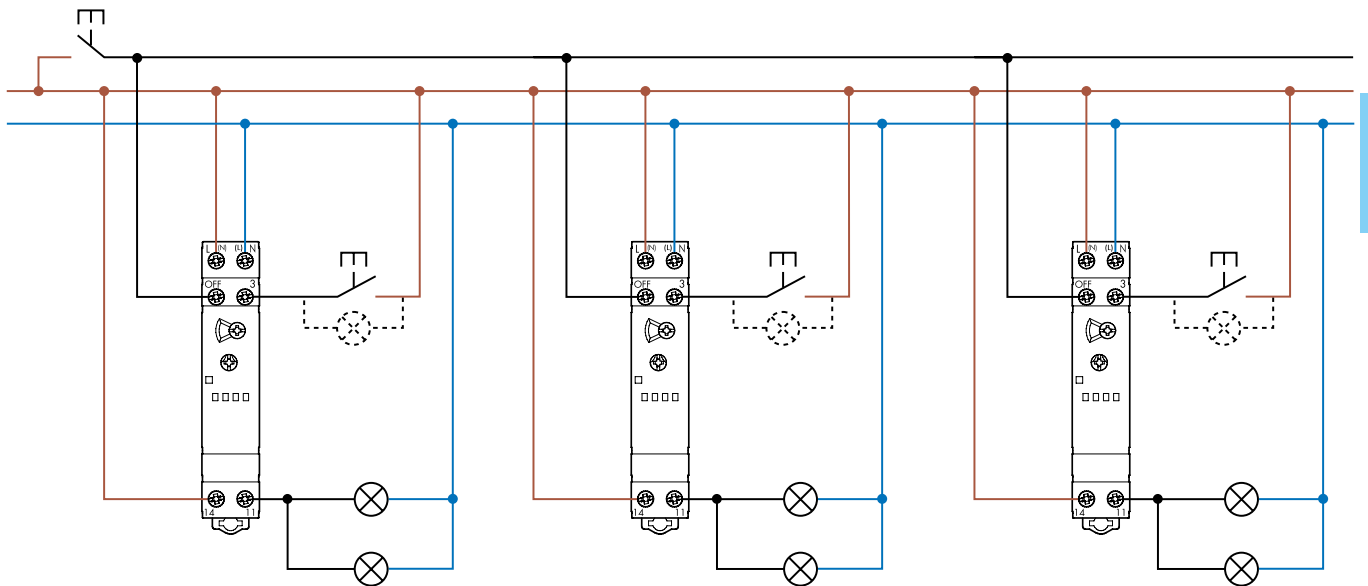


**Type 13.61.0.024**

4 wire connection  
Red LED indication:  
Continuous = relay ON  
Blinking = relay OFF



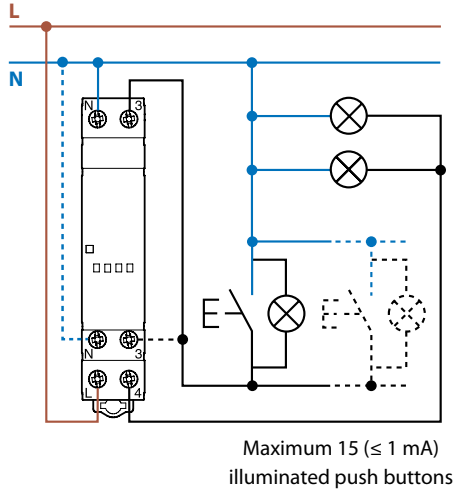
**Type 13.61.8.230 - Examples of multiple 4 wire connection with centralized reset pushbutton**



Wiring diagrams (13.81, 13.91, 13.22 and 13.S2)

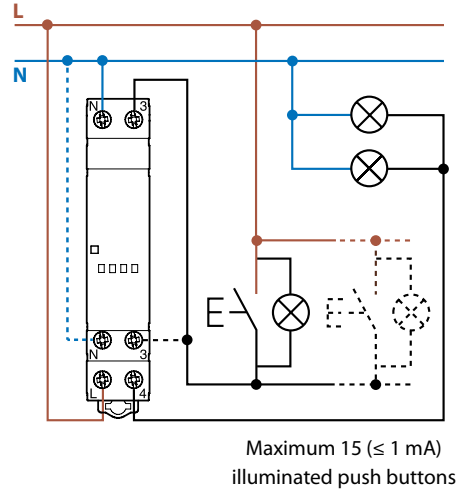
**Type 13.81**

3 wire connection  
Red LED indication: a  
Continuous = relay ON  
Blinking = relay OFF



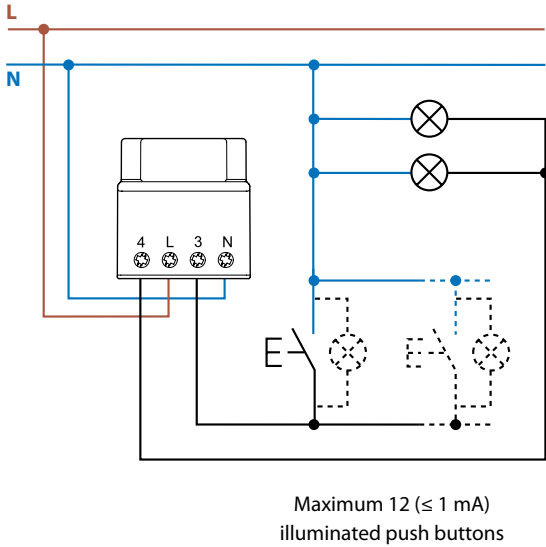
**Type 13.81**

4 wire connection  
Red LED indication: a  
Continuous = relay ON  
Blinking = relay OFF



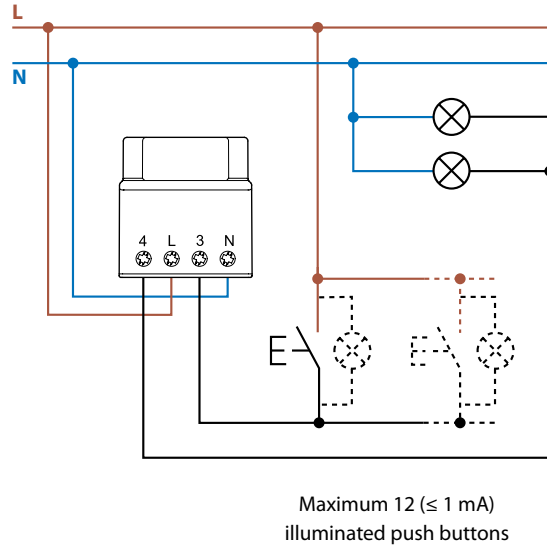
**Type 13.91**

3 wire connection



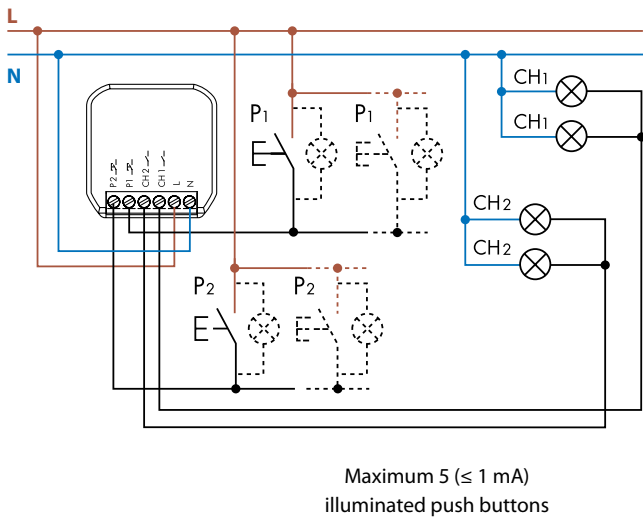
**Type 13.91**

4 wire connection



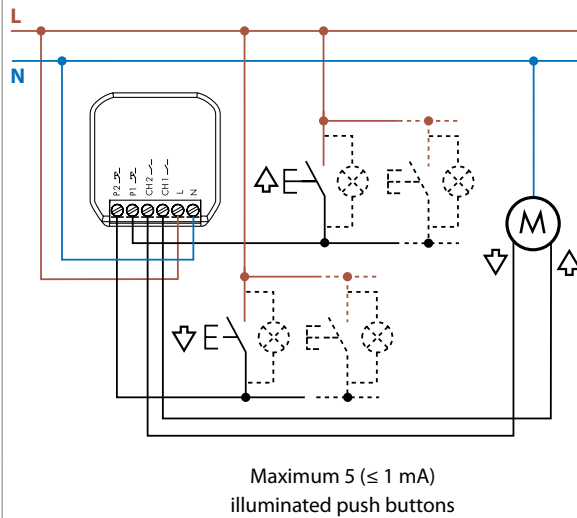
**Type 13.22**

4 wire connection



**Type 13.S2**

4 wire connection

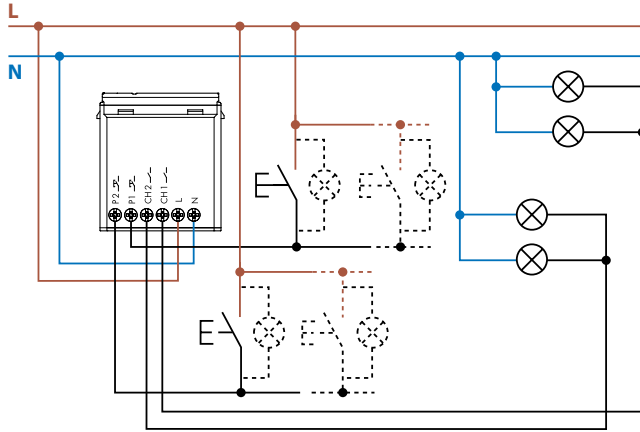


K

## Wiring diagrams (13.72)

### Type 13.72

4 wire connection

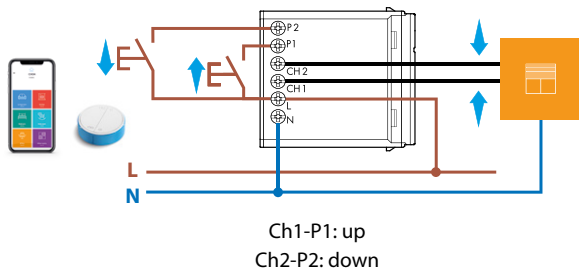


Maximum 5 ( $\leq 1$  mA)  
illuminated push buttons

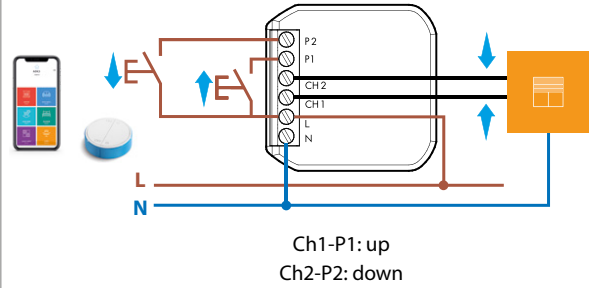
## Examples of applications

### Function TP - Roller Blinds, Shutters and Curtains

#### Type 13.72

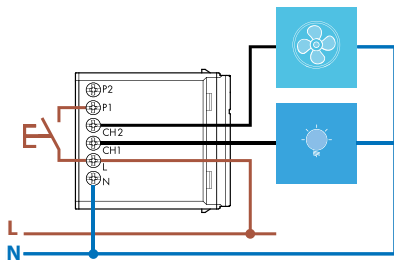


#### Type 13.S2

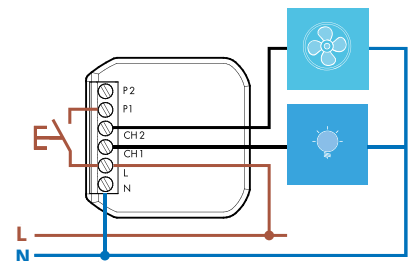


### Function VB - Bathroom light + fan

#### Type 13.72

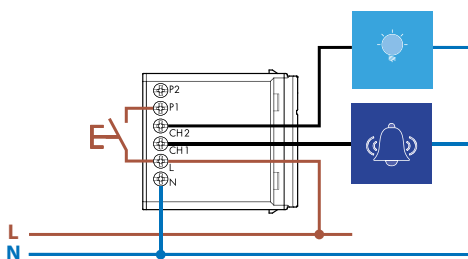


#### Type 13.22

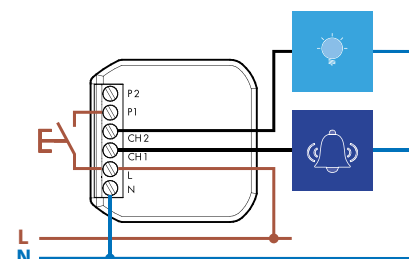


### Function CP - Ringbell + Lights

#### Type 13.72

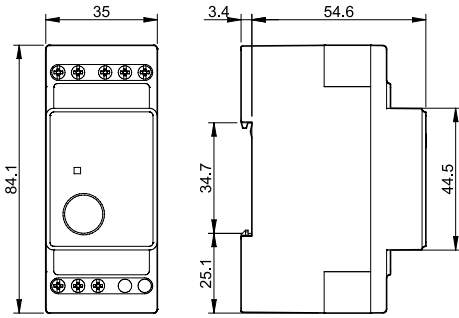


#### Type 13.22

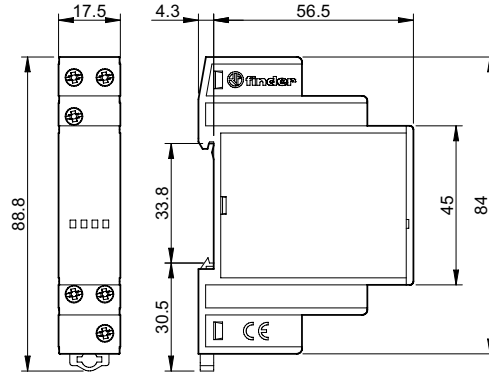


Outline drawings

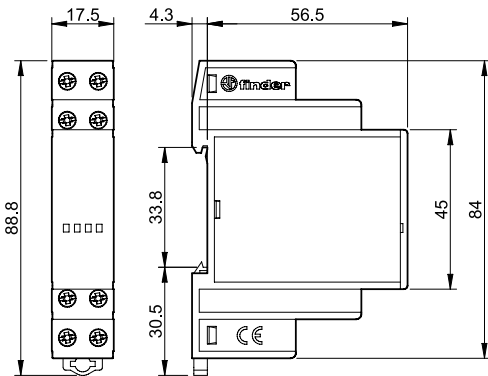
Type 13.01  
Screw terminal



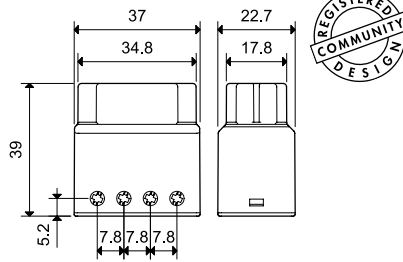
Type 13.11  
Screw terminal



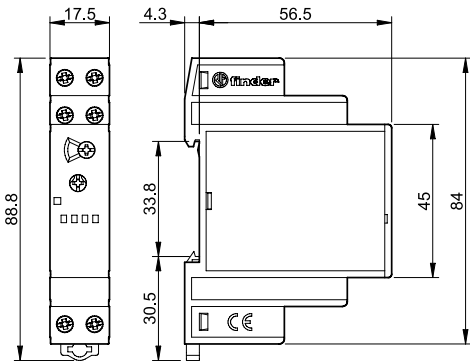
Type 13.12  
Screw terminal



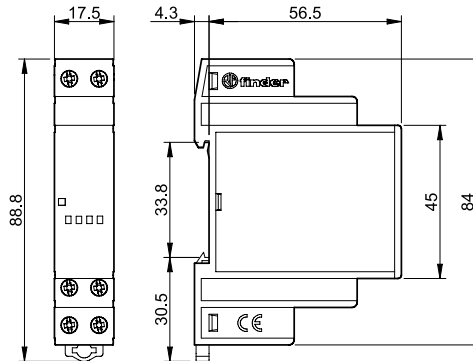
Types 13.31/13.91  
Screw terminal



Type 13.61  
Screw terminal



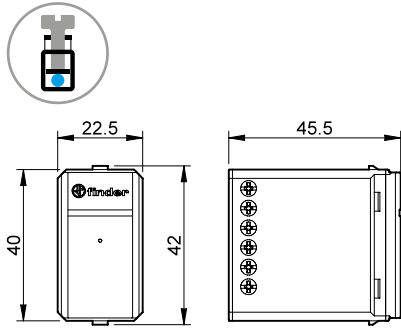
Type 13.81  
Screw terminal



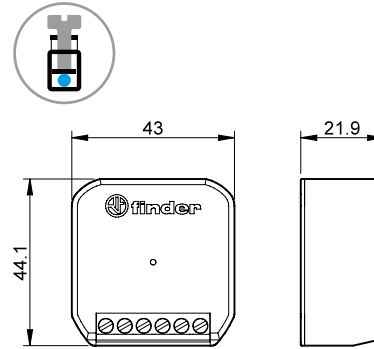
K

## Outline drawings

Type 13.72  
Screw terminal



Type 13.22 / 13.52  
Screw terminal



## Accessories



**011.01**

**Adaptor for panel mounting**, for type 13.01, 35 mm wide

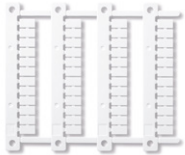
011.01



**020.01**

**Adaptor for panel mounting**, for type 13.11, 13.12, 13.61 and 13.81, 17.5 mm wide

020.01



**060.48**

**Sheet of marker tags (CEMBRE Thermal transfer printers)** for relays types 13.11, 13.12, 13.61 and 13.81 (48 tags), 6 x 12 mm

060.48

